

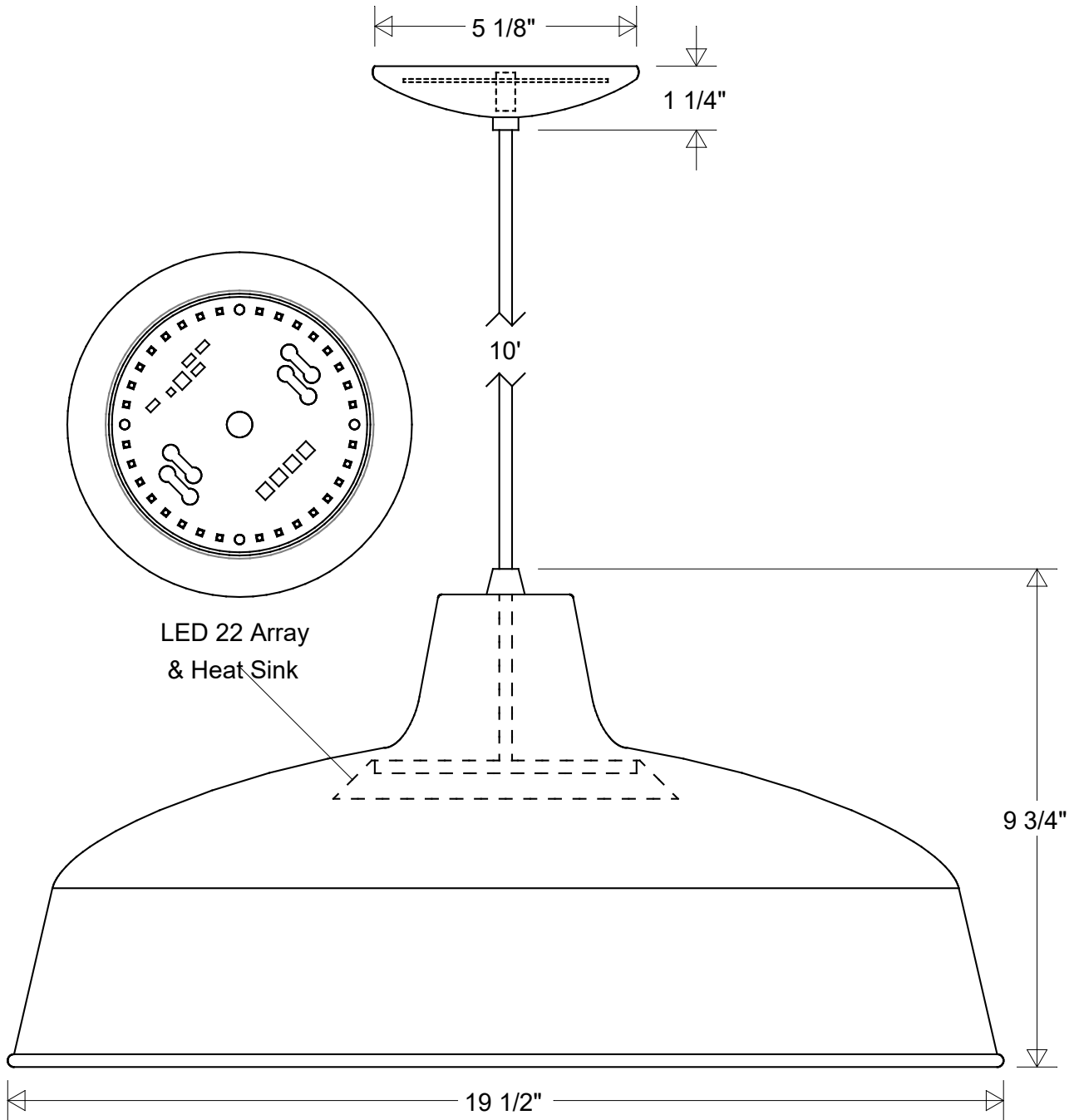


# Primelite Manufacturing Corp

407 S Main St, Freeport, NY 11520

Phone: 516-868-4411 | Fax: 516-868-4609

PART # #23/19 LED 22	LAMP Built-In LED	VOLTAGE 120 V	COLOR Powder Coated Paint
JOB NAME			TYPE Pendant



Lamp: LED 22 Array  
100 W Inc Equivalent  
3K = 1850 Lumens  
4K = 1900 Lumens



	Initials	Date
Drawn	CB	02/2022
Checked		
ENG Appr.		
MFR Appr.		
QA		

## Pendant #23/19 LED 22

19 1/2" Dia | 9 3/4" H  
10' Vinyl Cord: Black | White

Size	Drawing No.	Rev
<b>A</b>	<b>0001</b>	<b>A</b>

### Revisions

Zone	Rev	Description	Date	Appr

Construction:  
Aluminum | Vinyl

Unless Otherwise Specified:  
Dimensions in Inches

Weight:	Scale	CAD File	Sheet
			<b>1 of 1</b>