

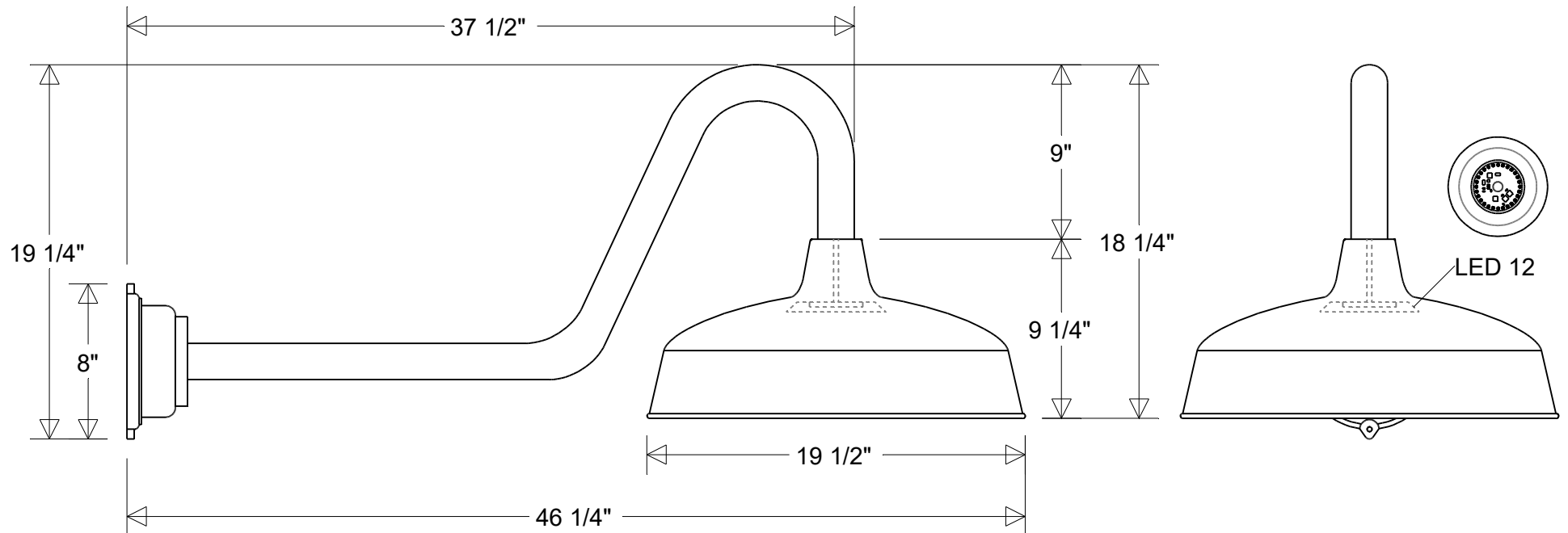


Primelite Manufacturing Corp.

407 S Main St, Freeport, NY 11520
 Phone: (516) 868-4411 | Fax: (516) 868-4609
 sales@primelite-mfg.com | www.primelite-mfg.com

PROUDLY MADE IN THE USA SINCE 1962!
"SPECIALTIES ARE OUR SPECIALTY!"

Job Info



#23/19-957 LED 12

19 1/2" Dia | 46 1/4" Ext | 19 1/4" H
 Shade: #23/19D LED 12 | Arm: #957

Lamp: 12 W LED

3K: 1140 Lumens
 4K: 1280 Lumens

Voltage:
 120 V

Finish:

29 Oven Baked
 Powder Coated Paints

Material:
 Aluminum

Drawn:

CB
 04/2025

Note:

All dimensions are nominal.
 Actual dimensions may vary.

Scale:

1/8

Approvals
