

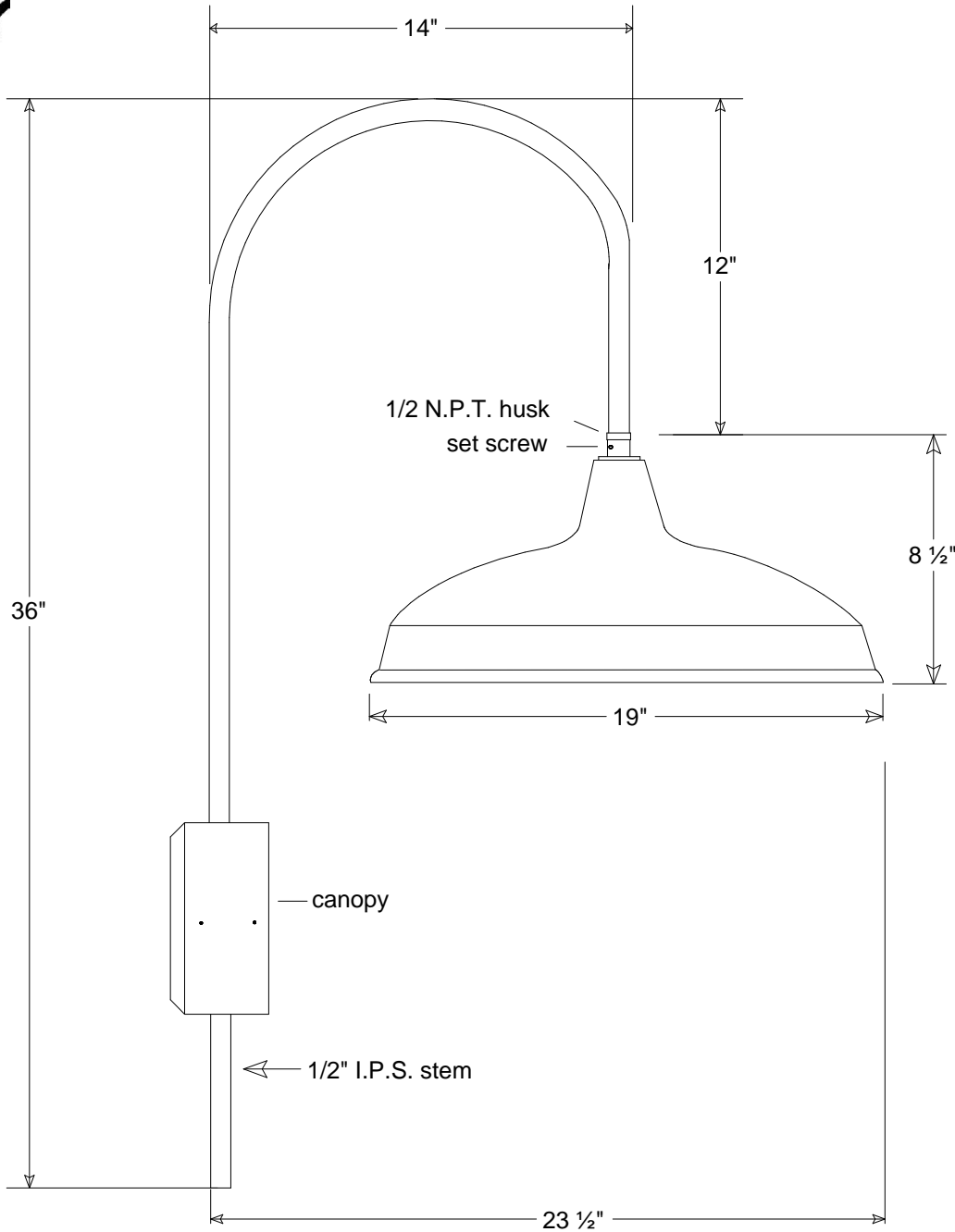


# Primelite Manufacturing Corp

407 S Main St, Freeport, NY 11520

Phone: 516-868-4411 | Fax: 516-868-4609  
 sales@primelite-mfg.com | www.primelite-mfg.com

|          |      |         |       |
|----------|------|---------|-------|
| PART #   | LAMP | VOLTAGE | COLOR |
| JOB NAME |      |         | TYPE  |



|  |  |    |          |  |             |               |             |      |          |
|--|--|----|----------|--|-------------|---------------|-------------|------|----------|
| <b>Unless Otherwise Specified:</b><br>Dimensions in Inches<br>Tolerances: Fractional ±<br>Angular: Mach ± Bend ±<br>Two Place Decimal ±<br>Three Place Decimal ± | Name   |    | Date     | <h2>Gooseneck #23/19-862</h2> <p>19" Shade   14" Arm</p> | Revisions   |               |             |      |          |
|  | Drawn  | iv | 01/11/18 |  | Zone        | Rev           | Description | Date | Approved |
|  | Checked  |    |          |  |             |               |             |      |          |
|  | ENG Appr.  |    |          |  |             |               |             |      |          |
| Construction: Aluminum   | MFR Appr.  |    |          | Size   | Drawing No. | Rev           |             |      |          |
|  | QA   |    |          | <b>A</b>   | <b>0001</b> | <b>A</b>      |             |      |          |
| Lamp: Incandescent   LED<br>1/200A   LED12   LED22   | Available Shades:<br>7", 10", 12", 14", 16", 18",<br>20", 22", 24" |    | Scale    | CAD File   | Sheet       | <b>1 of 1</b> |             |      |          |