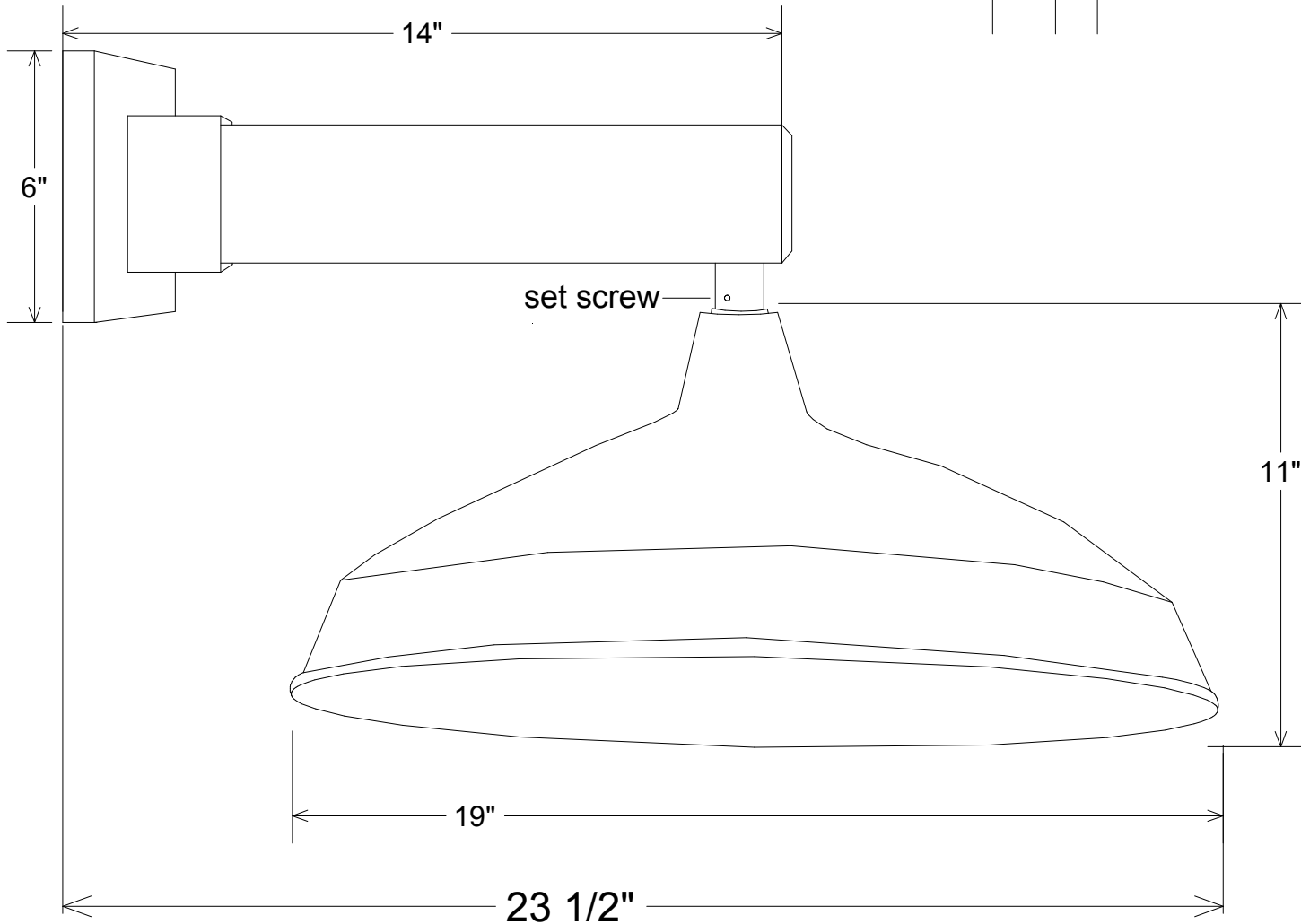


Revisions			Date	Approved
Zone	Rev	Description		



<b>Unless Otherwise Specified:</b> Dimensions in Inches Tolerances: Fractional ± Angular: Mach ± Bend ± Two Place Decimal ± Three Place Decimal ±	<b>Drawn</b>	T.A.R.	11/18/09	<b>Primelite Mfg. Corp.</b>  <b>23/19-861</b>
	<b>Checked</b>			
	<b>ENG Appr.</b>			
	<b>MFR Appr.</b>			
	<b>QA</b>			
<b>Construction: All Aluminum</b>	<b>Comments</b>			<b>Size</b>
<b>Pipe Size: 1/2"</b>	CAD Generated Drawing Do Not Manually Update			<b>A</b>
<b>Lamp: 1-200A</b>				<b>Drawing No.</b>
				<b>0001</b>
				<b>Rev</b>
				<b>A</b>
	<b>Scale</b>		<b>1:4</b>	<b>CAD File</b>
	<b>Sheet</b>		<b>1 of 1</b>	