

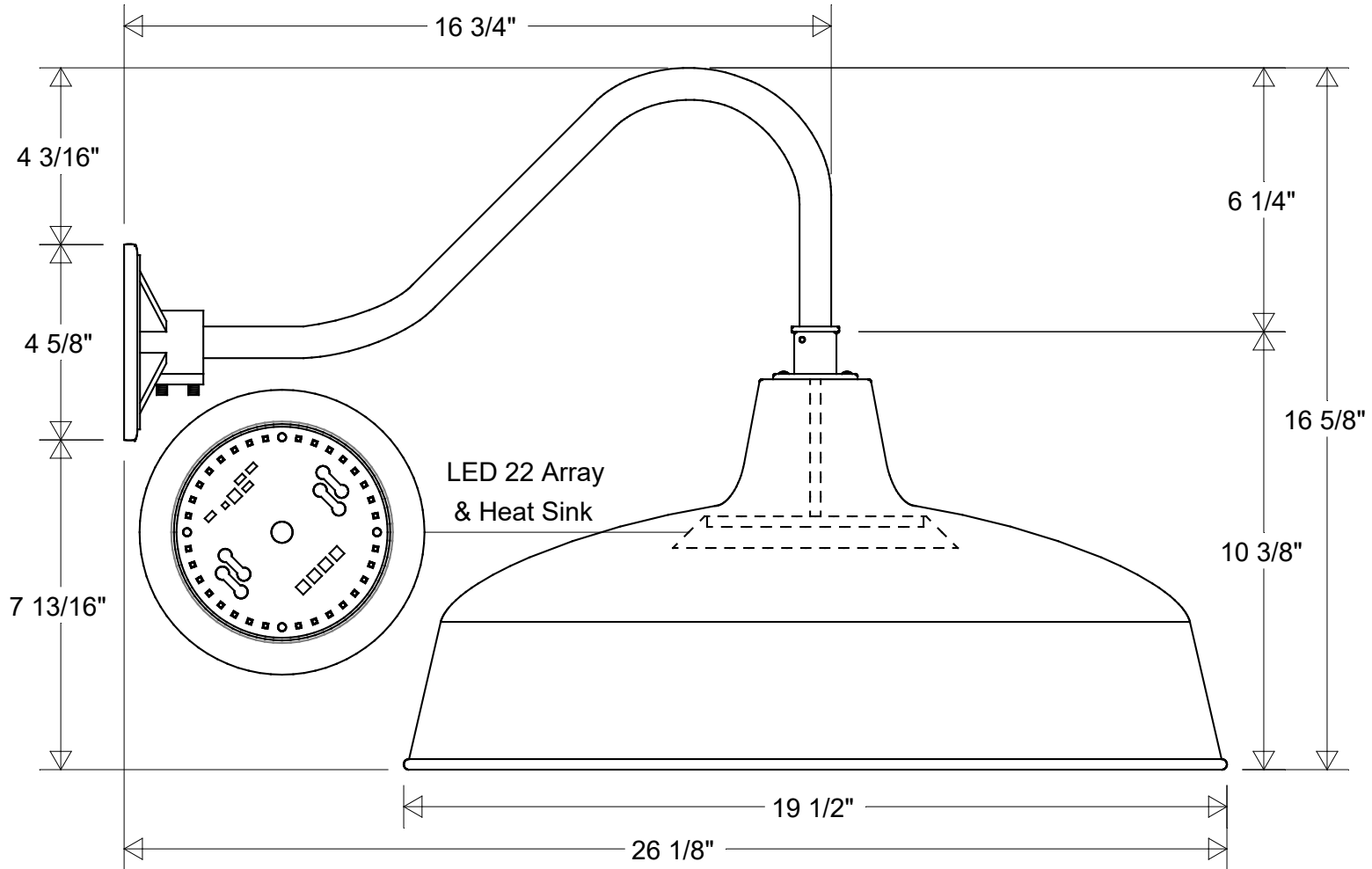


Primelite Manufacturing Corp

407 S Main St, Freeport, NY 11520

Phone: 516-868-4411 | Fax: 516-868-4609
 sales@primelite-mfg.com | www.primelite-mfg.com

PART # #23/19-859 HDC LED 22	LAMP Built-In LED	VOLTAGE 120 V	COLOR Powder Coated Paint
JOB NAME			TYPE Gooseneck



Lamp: LED 22 Array
 100 W Inc Equivalent
 3K = 1850 Lumens
 4K = 1900 Lumens



Initials	Date
Drawn CB	04/2022
Checked	
ENG Appr.	
MFR Appr.	
QA	

Gooseneck #23/19-859 HDC LED 22

19 1/2" Dia | 26 1/8" Ext | 16 5/8" H
 6 1/4" Drop | 7 13/16" Below Box

Size A	Drawing No. 0001	Rev A
------------------	----------------------------	-----------------

Revisions				
Zone	Rev	Description	Date	Appr

Construction:
Aluminum

Unless Otherwise Specified:
Dimensions in Inches

Weight:

Scale CAD File Sheet