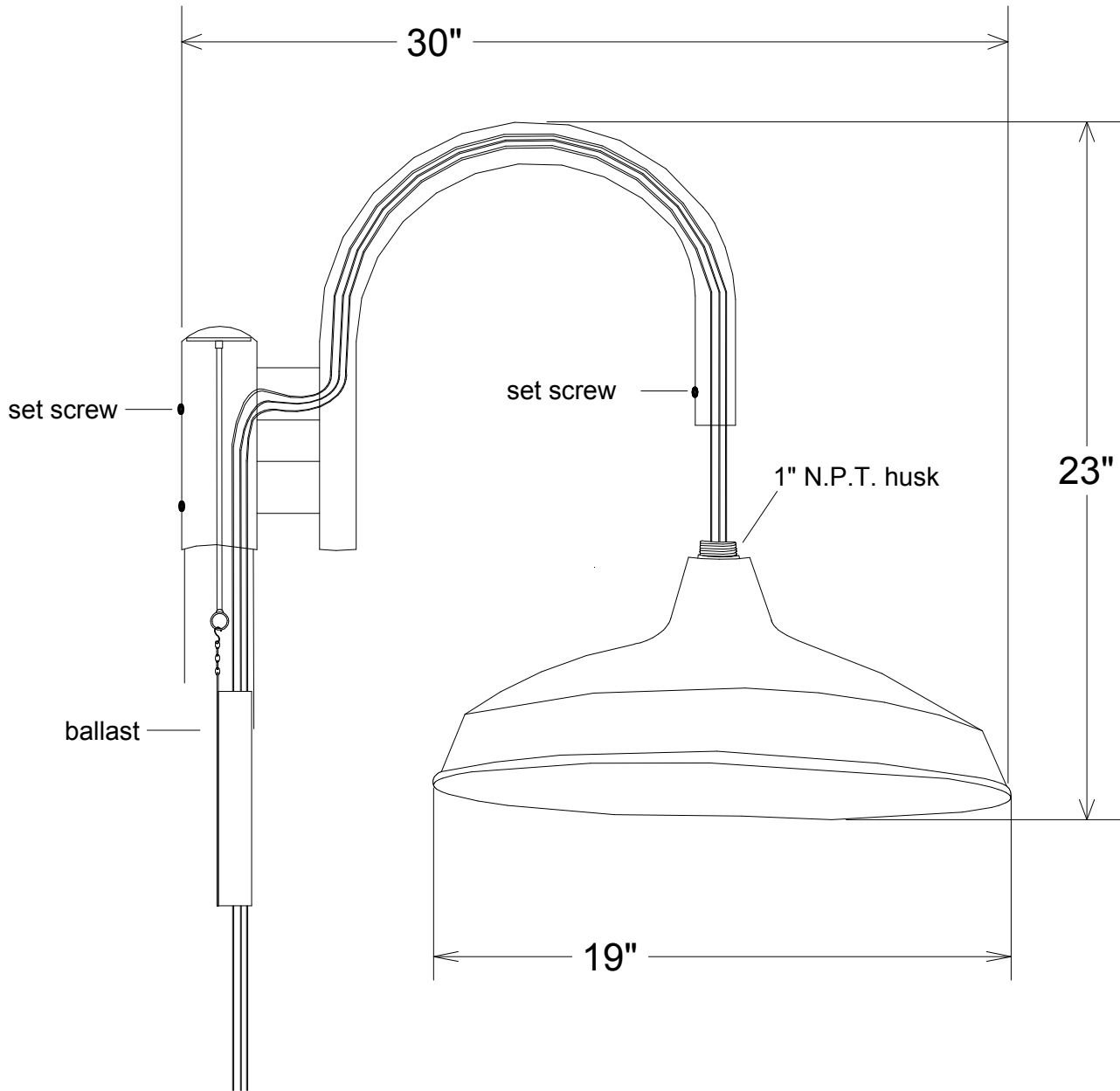


Revisions				
Zone	Rev	Description	Date	Approved



Unless Otherwise Specified: Dimensions in Inches Tolerances: Fractional ± Angular: Mach ± Bend ± Two Place Decimal ± Three Place Decimal ±	Name		Date		Primelite Mfg. Corp. 23/19-1963		
	Drawn	T.A.R.	11/20/09				
	Checked				Size A Drawing No. 0002 Rev A		
	ENG Appr.						
	MFR Appr.						
QA				Scale 1:6 CAD File Sheet 1 of 1			
Comments	CAD Generated Drawing						
Construction: All Aluminum							