

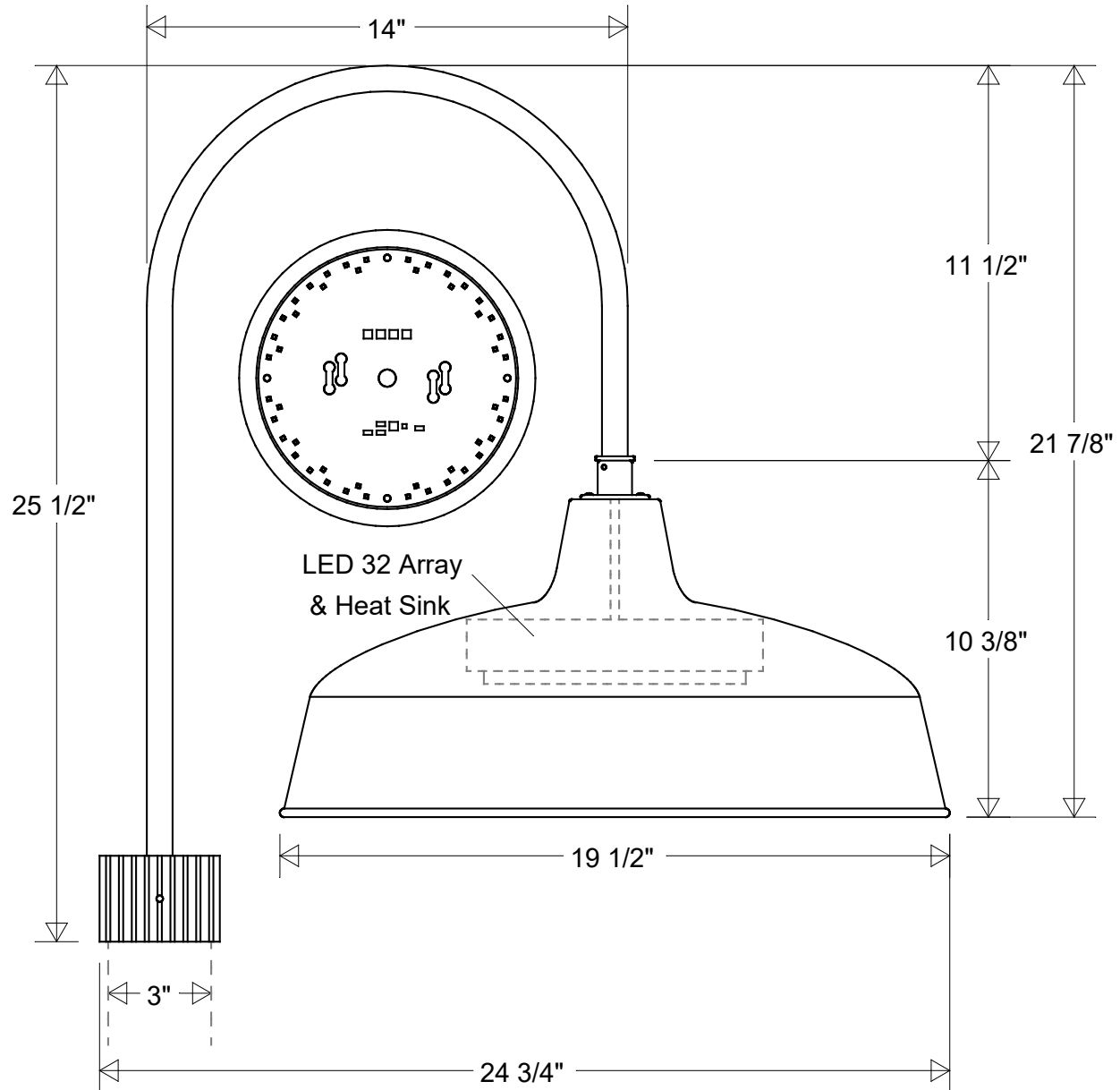


Primelite Manufacturing Corp

407 S Main St, Freeport, NY 11520

Phone: 516-868-4411 | Fax: 516-868-4609
 sales@primelite-mfg.com | www.primelite-mfg.com

| | | | |
|------------------------------|-----------------------|-------------------------|-------------------------------------|
| PART # #23/19-1862 | LAMP LED 32 | VOLTAGE 120 V | COLOR Powder Coated Paint |
| JOB NAME | | | TYPE Post Light |



Lamp: LED 32 Array
 200 W Inc Equivalent
 3K = 2750 Lumens
 4K = 2850 Lumens



| | | |
|------------------|-----------------|-------------|
| | Initials | Date |
| Drawn | CB | 07/2022 |
| Checked | | |
| ENG Appr. | | |
| MFR Appr. | | |
| QA | | |

Post Light #23/19-1862 LED 32

19 1/2" Dia | 24 3/4" Ext | 25 1/2" H
 Fits 3" OD Round Posts or Pier Mounts

| | | |
|-------------|--------------------|------------|
| Size | Drawing No. | Rev |
| A | 0001 | A |

Unless Otherwise Specified:
 Dimensions in Inches

| | | | |
|----------------|--------------|-----------------|---------------|
| Weight: | Scale | CAD File | Sheet |
| | | | 1 of 1 |

| Revisions | | | | |
|-----------|-----|-------------|------|------|
| Zone | Rev | Description | Date | Appr |
| | | | | |
| | | | | |
| | | | | |