

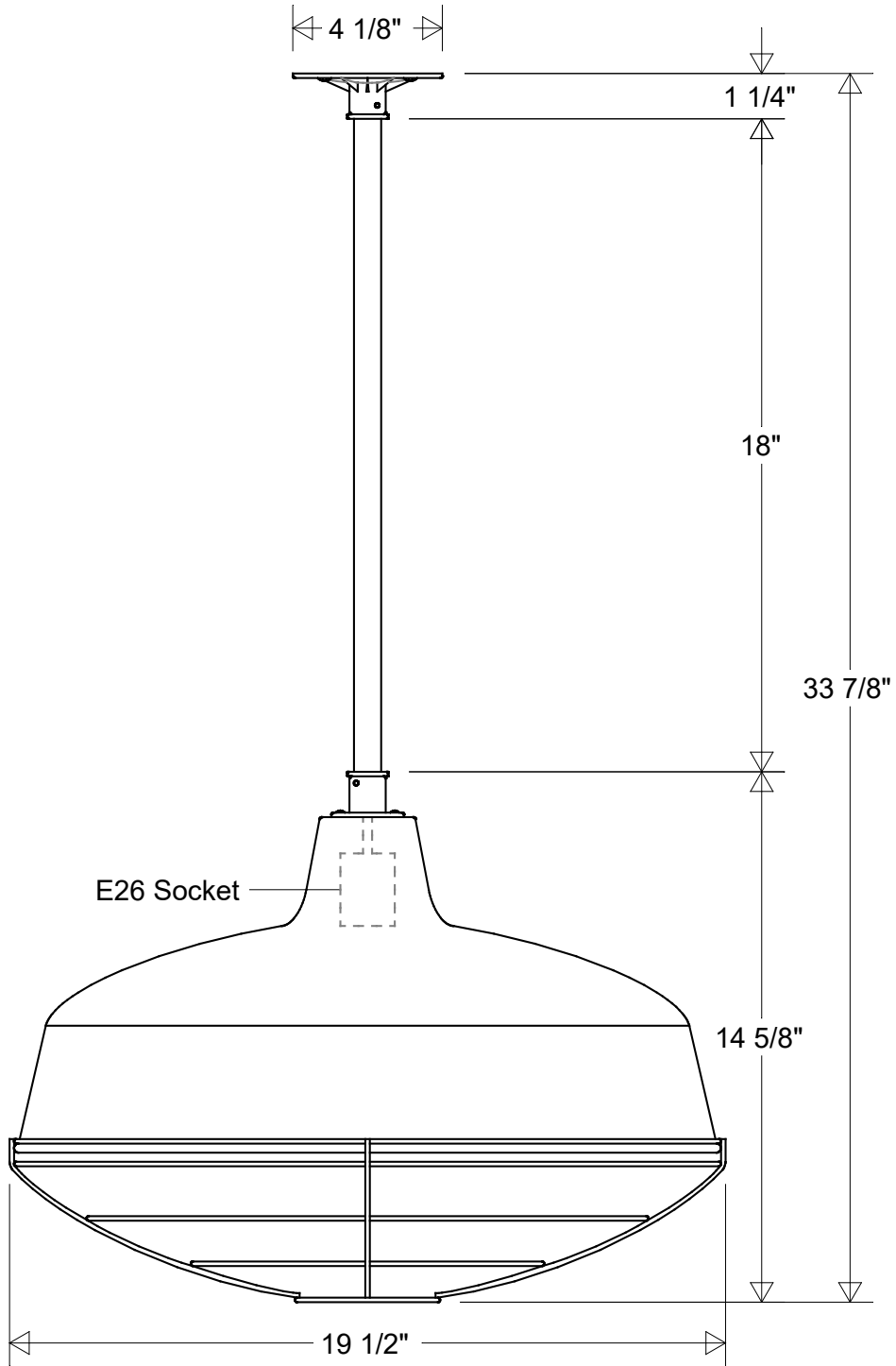



Primelite Manufacturing Corp

407 S Main St, Freeport, NY 11520

Phone: 516-868-4411 | Fax: 516-868-4609
 sales@primelite-mfg.com | www.primelite-mfg.com

PART # #23/19-18 WG	LAMP E26 Socket	VOLTAGE 120 V	COLOR Powder Coated Paint
JOB NAME			TYPE Pendant



Lamp: E26 Socket Max Wattage: 200 W 	Initials	Date	<h2>#23/19-18 WG</h2>							
	Drawn	CB						01/2023		
	Checked			19 1/2" Dia 33 7/8" H 18" x 1/2" IPS Stem Aluminum Wire Guard						
ENG Appr.						Revisions				
Construction: Aluminum	MFR Appr.		Size	Drawing No.	Rev	Zone	Rev	Description	Date	Appr
	QA		A	0001	A					
Unless Otherwise Specified: Dimensions in Inches	Weight:		Scale	CAD File	Sheet					
					1 of 1					