



Primelite Manufacturing Corp

407 S Main St, Freeport, NY 11520

Phone: 516-868-4411 | Fax: 516-868-4609

sales@primelite-mfg.com | www.primelite-mfg.com

PART #

#23/19-1595

LAMP

Incandescent

VOLTAGE

120 V

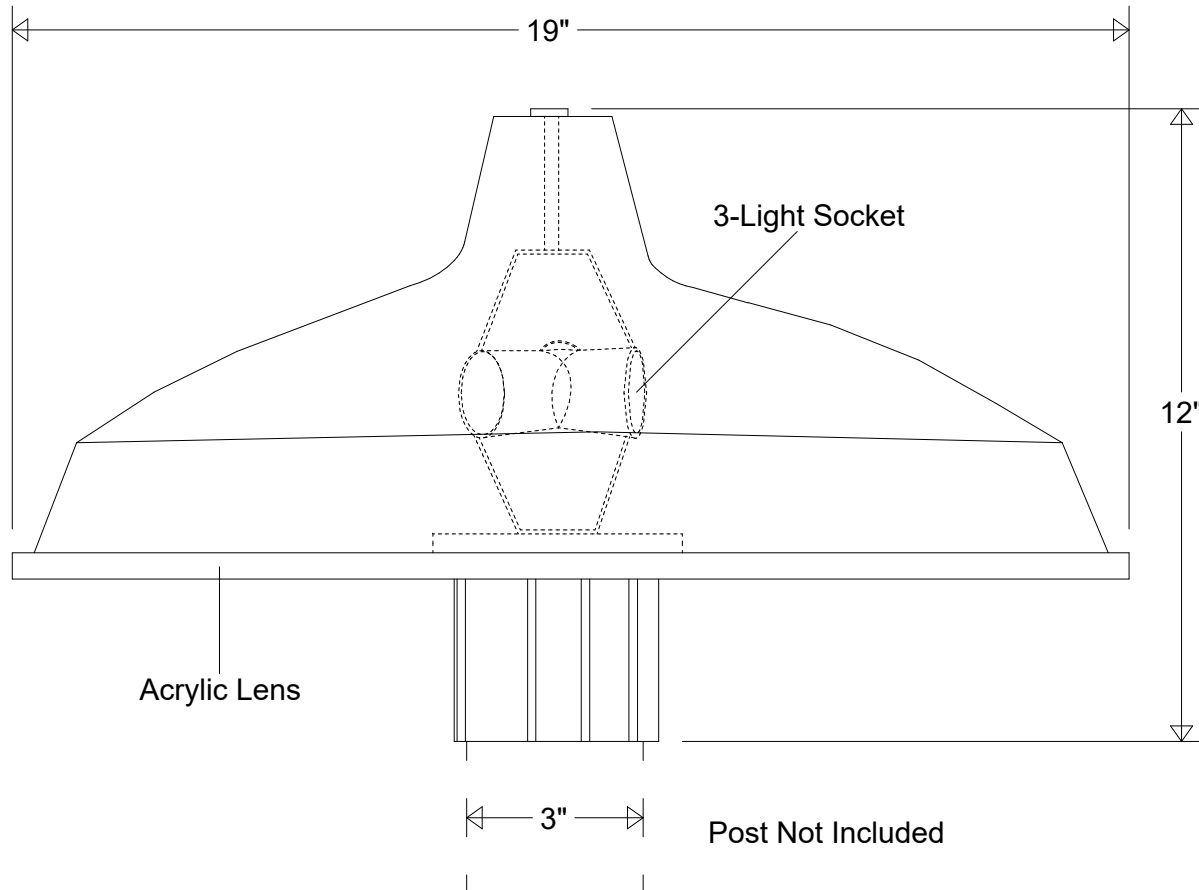
COLOR

Powder Coated Paint

JOB NAME

TYPE

Post Light



Lamp: Incandescent
Max Wattage: 3/100A



Name

CB

01/2021

Drawn

Checked

ENG Appr.

MFR Appr.

QA

Weight

Size

A

Scale

CAD File

Sheet

1 of 1

Post Light #23/19-1595

19" Dia | 12" H | Acrylic Lens
Dark Sky Friendly

0001

A

1 of 1

Revisions

Zone	Rev	Description	Date	Approved