

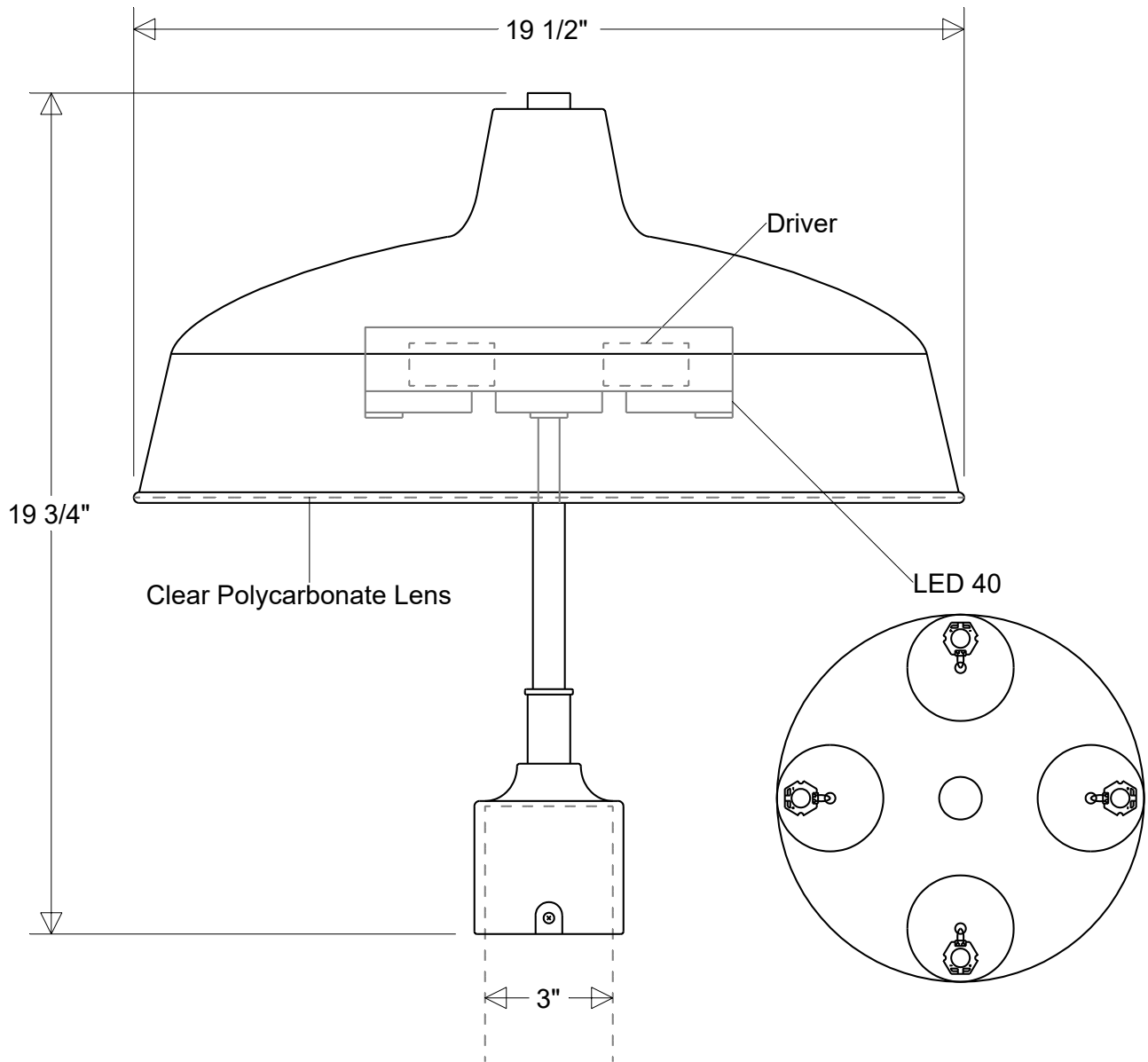


# Primelite Manufacturing Corp.

407 S Main St, Freeport, NY 11520  
 Phone: (516) 868-4411 | Fax: (516) 868-4609  
 sales@primelite-mfg.com | www.primelite-mfg.com

**PROUDLY MADE IN THE USA SINCE 1962!**  
**"SPECIALTIES ARE OUR SPECIALTY!"**

Job Info



## #23/19-1594 LED 40

19 1/2" Dia | 19 3/4" H  
 For 3" OD Round Posts & Pier Mounts

**Lamp: 40 W LED**  
 3K: 6564 Lumens  
 4K: 6756 Lumens

**Voltage:**  
 120 V

**Finish:**  
 29 Oven Baked  
 Powder Coated Paints

**Material:**  
 Aluminum  
 Polycarbonate Lens

**Drawn:**  
 CB  
 05/2024

**Note:**  
 All dimensions are nominal.  
 Actual dimensions may vary.

**Scale:**  
 1/4

Approvals