

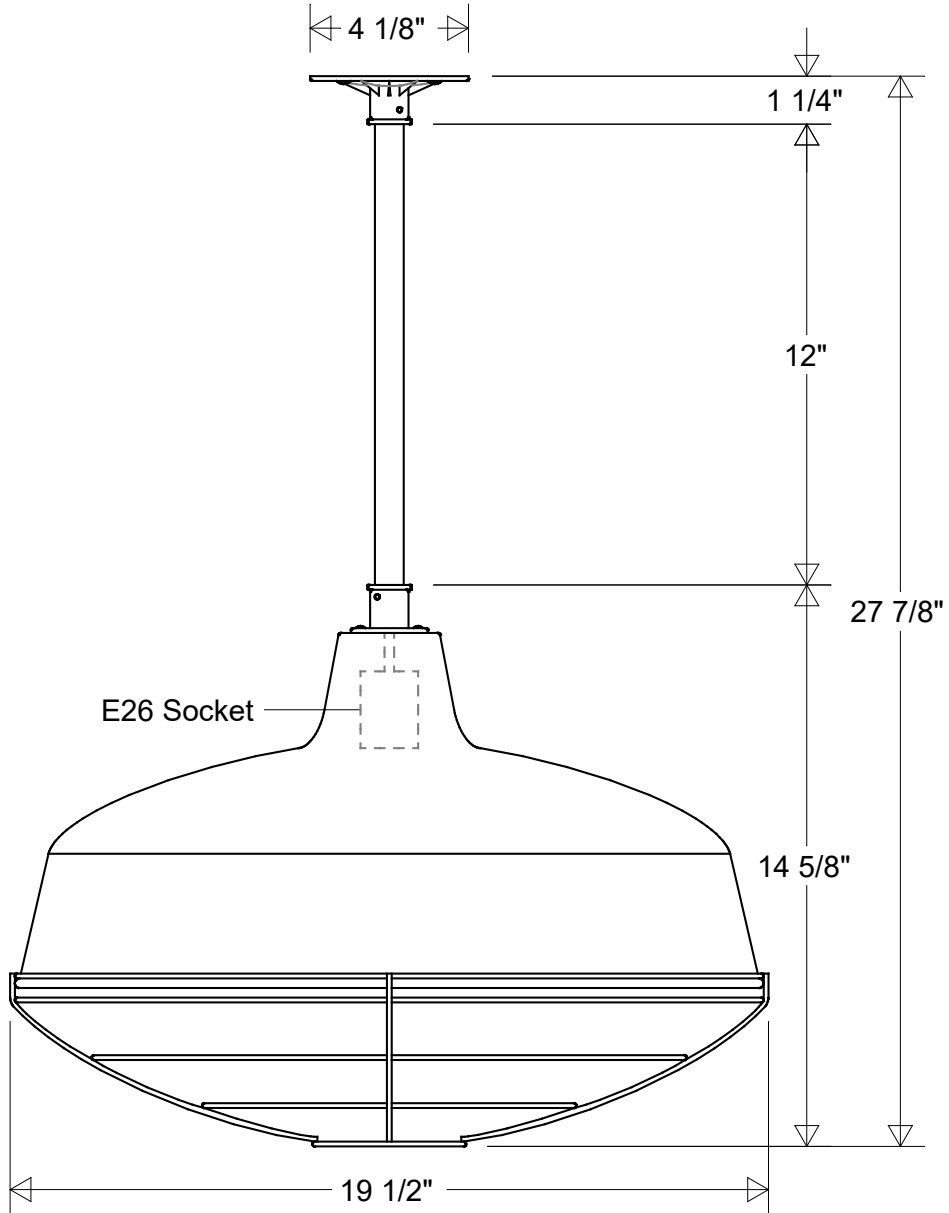



Primelite Manufacturing Corp

407 S Main St, Freeport, NY 11520

Phone: 516-868-4411 | Fax: 516-868-4609
 sales@primelite-mfg.com | www.primelite-mfg.com

PART # #23/19-12 WG	LAMP E26 Socket	VOLTAGE 120 V	COLOR Powder Coated Paint
JOB NAME			TYPE Pendant



Lamp: E26 Socket Max Wattage: 200 W 	Initials	Date	<h2>#23/19-12 WG</h2>																																		
	Drawn	CB						01/2023																													
	Checked			19 1/2" Dia 27 7/8" H 12" x 1/2" IPS Stem Aluminum Wire Guard																																	
ENG Appr.			<table border="1" style="width: 100%; border-collapse: collapse;"> <thead> <tr> <th colspan="5" style="text-align: center;">Revisions</th> </tr> <tr> <th style="width: 10%;">Zone</th> <th style="width: 10%;">Rev</th> <th style="width: 50%;">Description</th> <th style="width: 15%;">Date</th> <th style="width: 15%;">Appr</th> </tr> </thead> <tbody> <tr><td> </td><td> </td><td> </td><td> </td><td> </td></tr> <tr><td> </td><td> </td><td> </td><td> </td><td> </td></tr> <tr><td> </td><td> </td><td> </td><td> </td><td> </td></tr> <tr><td> </td><td> </td><td> </td><td> </td><td> </td></tr> </tbody> </table>					Revisions					Zone	Rev	Description	Date	Appr																				
Revisions																																					
Zone	Rev	Description	Date	Appr																																	
Construction: Aluminum	MFR Appr.		Size	Drawing No.	Rev																																
	QA		A	0001	A																																
Unless Otherwise Specified: Dimensions in Inches	Weight:		Scale	CAD File	Sheet	1 of 1																															