

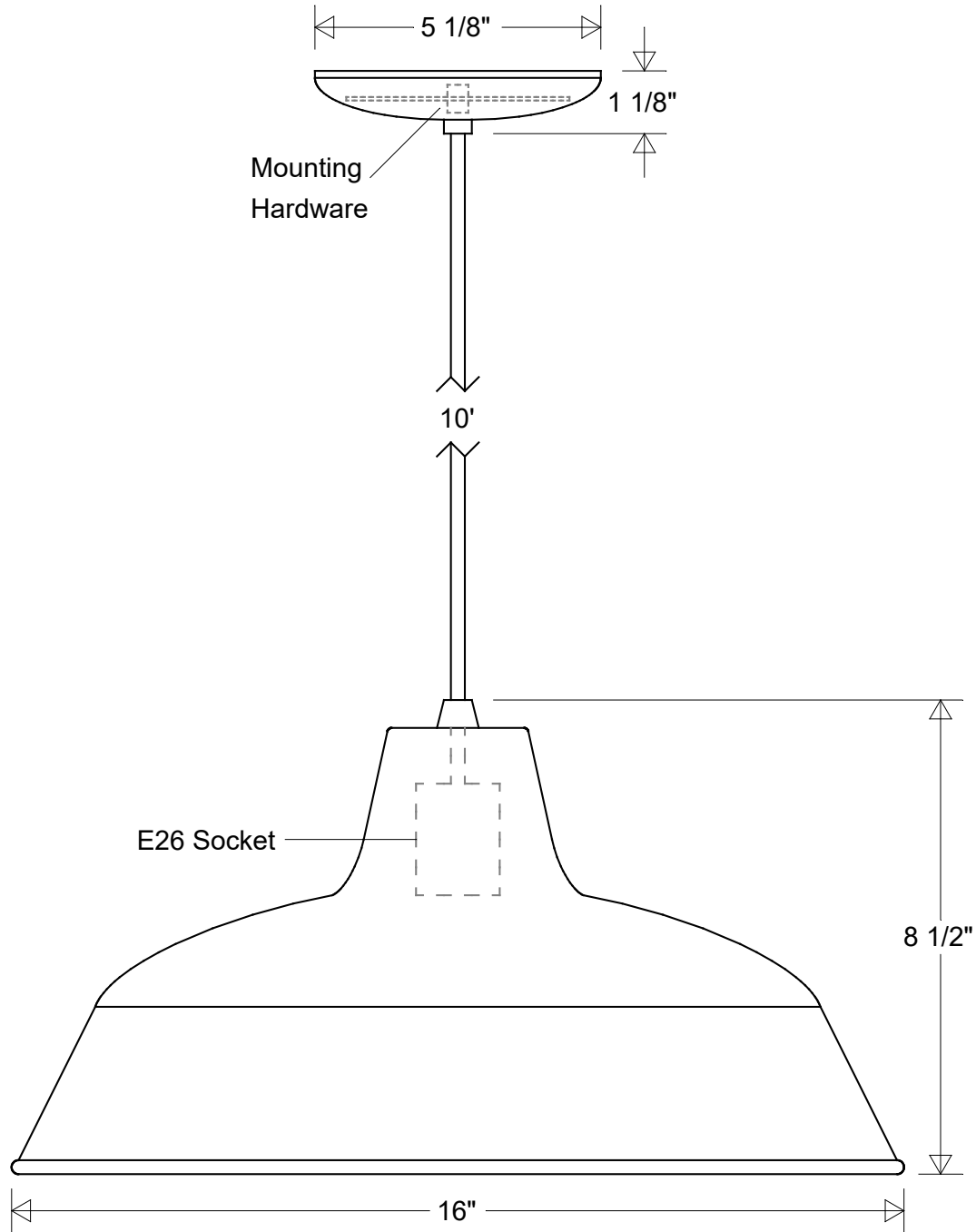



# Primelite Manufacturing Corp

407 S Main St, Freeport, NY 11520

Phone: 516-868-4411 | Fax: 516-868-4609  
 sales@primelite-mfg.com | www.primelite-mfg.com

<b>PART #</b> #23/16	<b>LAMP</b> E26 Socket	<b>VOLTAGE</b> 120 V	<b>COLOR</b> Powder Coated Paint
<b>JOB NAME</b>			<b>TYPE</b> Pendant



<b>Lamp: E26 Socket</b> Max Wattage: 200 W 	<b>Initials</b>	<b>Date</b>	<h2>Pendant #23/16</h2> <p>16" Dia   8 1/2" H</p> <p>10' Vinyl Cord: Black   White</p>									
	Drawn	CB						11/2022				
	<b>Construction:</b> Aluminum	<b>Checked</b>  <b>ENG Appr.</b>			<b>Revisions</b>							
	MFR Appr.			<b>Zone</b>	<b>Rev</b>	<b>Description</b>	<b>Date</b>	<b>Appr</b>				
<b>Unless Otherwise Specified:</b> Dimensions in Inches	<b>Weight:</b>		<b>Scale</b> <b>A</b>	<b>Drawing No.</b> <b>0001</b>	<b>Rev</b> <b>A</b>							
												<b>Sheet</b> <b>1 of 1</b>