

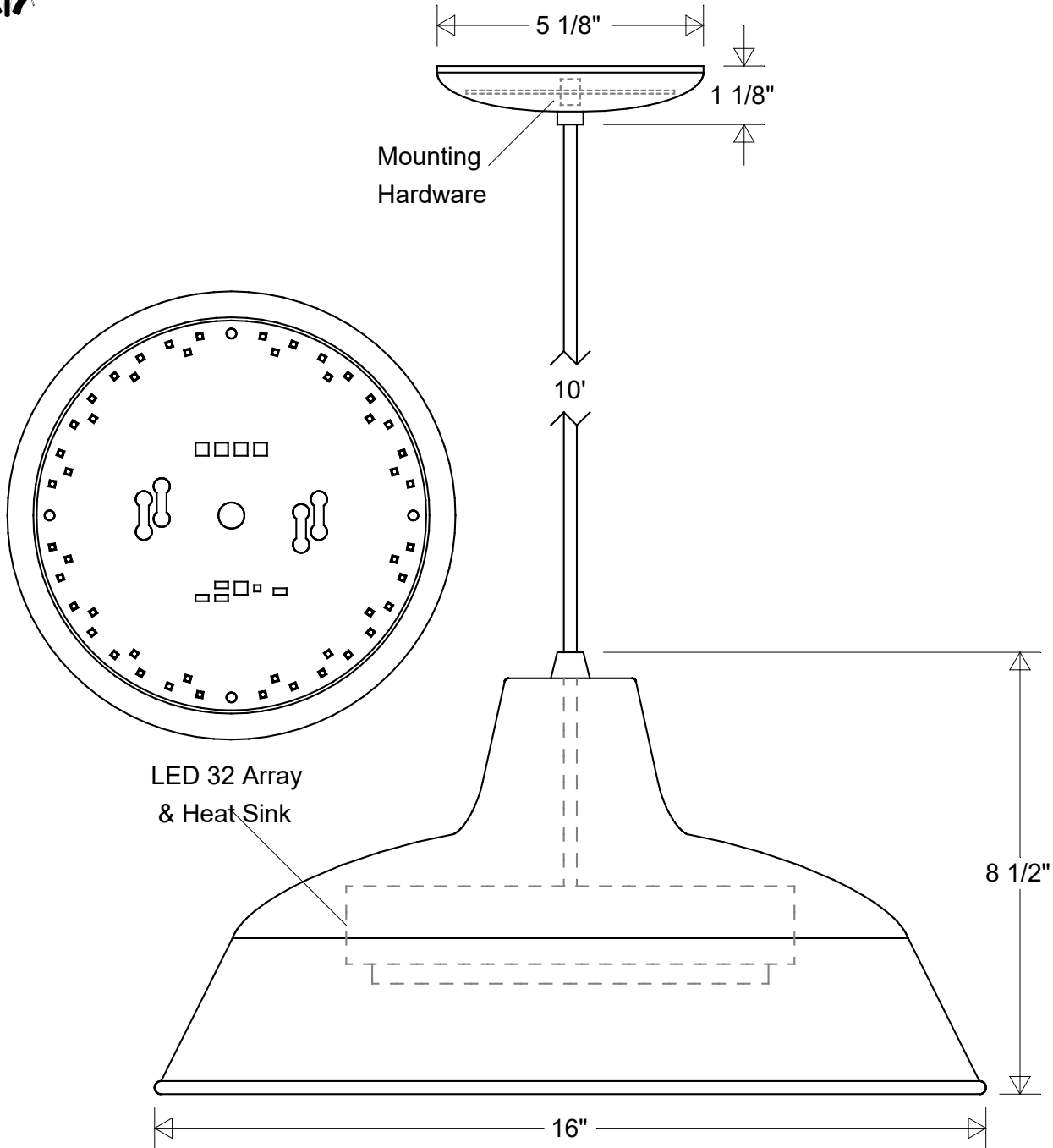


# Primelite Manufacturing Corp

407 S Main St, Freeport, NY 11520

Phone: 516-868-4411 | Fax: 516-868-4609  
 sales@primelite-mfg.com | www.primelite-mfg.com

PART # #23/16 LED 32	LAMP Built-In LED	VOLTAGE 120 V	COLOR Powder Coated Paint
JOB NAME			TYPE Pendant



Lamp: LED 32 Array  
 200 W Inc Equivalent  
 3K = 2750 Lumens  
 4K = 2850 Lumens



	Initials	Date
Drawn	CB	11/2022
Checked		
ENG Appr.		
MFR Appr.		
QA		

## Pendant #23/16 LED 32

16" Dia | 8 1/2" H

10' Vinyl Cord: Black | White

Size	Drawing No.	Rev
<b>A</b>	<b>0001</b>	<b>A</b>

### Revisions

Zone	Rev	Description	Date	Appr

Construction:  
Aluminum

Unless Otherwise Specified:  
Dimensions in Inches

Weight:

Scale

CAD File

Sheet

**1 of 1**