

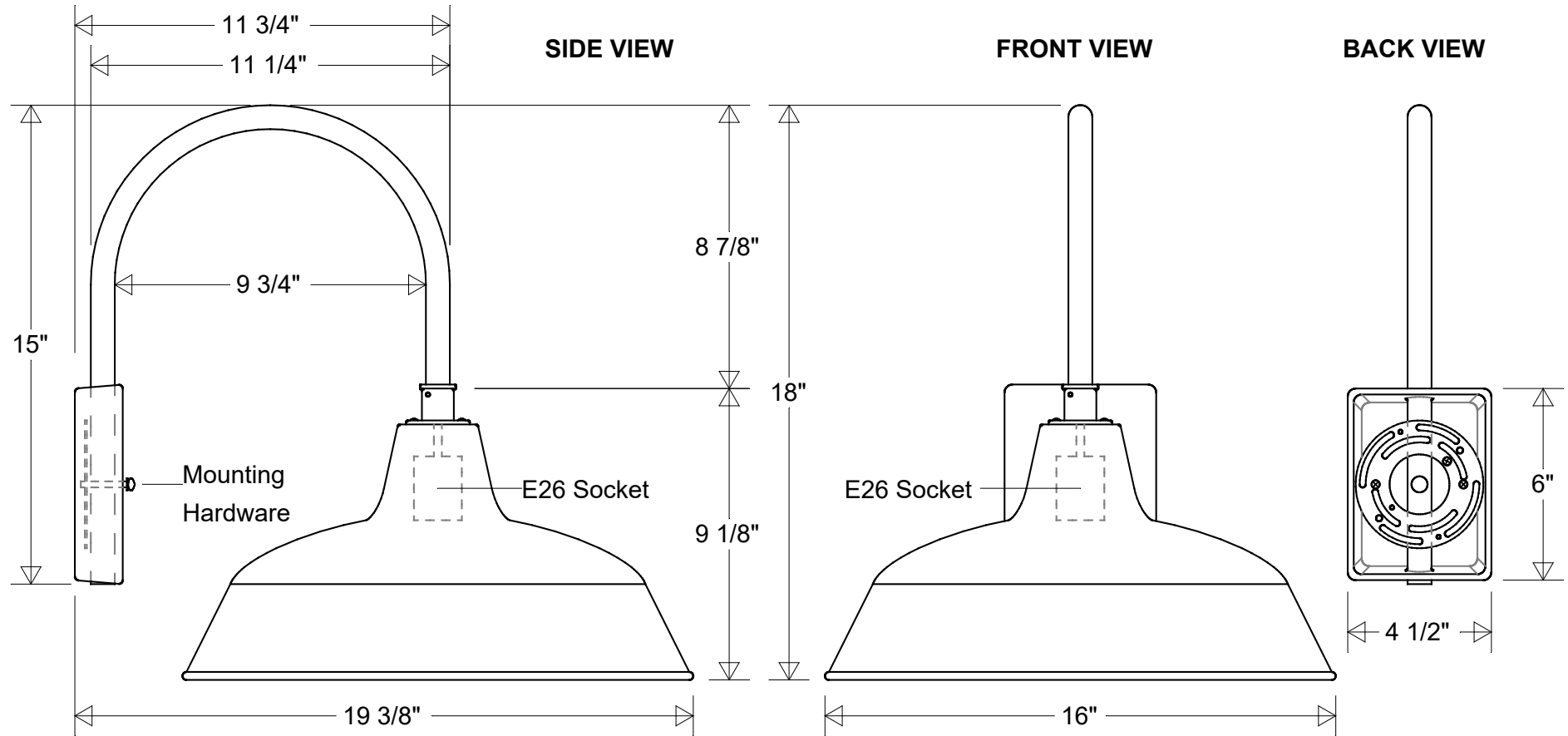



Primelite Manufacturing Corp

407 S Main St, Freeport, NY 11520

Phone: 516-868-4411 | Fax: 516-868-4609
 sales@primelite-mfg.com | www.primelite-mfg.com

PART # #23/16-863	LAMP E26 Socket	VOLTAGE 120 V	COLOR Powder Coated Paint
JOB NAME			TYPE Gooseneck



Lamp: E26 Socket Max Wattage: 200 W 	Initials	Date	Gooseneck #23/16-863																													
	Drawn	CB						06/2022																								
	Checked			16" Dia 19 3/8" Ext 18" H <table border="1"> <thead> <tr> <th colspan="5">Revisions</th> </tr> <tr> <th>Zone</th> <th>Rev</th> <th>Description</th> <th>Date</th> <th>Appr</th> </tr> </thead> <tbody> <tr><td> </td><td> </td><td> </td><td> </td><td> </td></tr> <tr><td> </td><td> </td><td> </td><td> </td><td> </td></tr> <tr><td> </td><td> </td><td> </td><td> </td><td> </td></tr> </tbody> </table>					Revisions					Zone	Rev	Description	Date	Appr														
Revisions																																
Zone	Rev	Description	Date						Appr																							
ENG Appr.			Size	Drawing No.	Rev																											
MFR Appr.			A	0001	A																											
QA			Scale	CAD File	Sheet																											
Unless Otherwise Specified: Dimensions in Inches	Weight:				1 of 1																											