

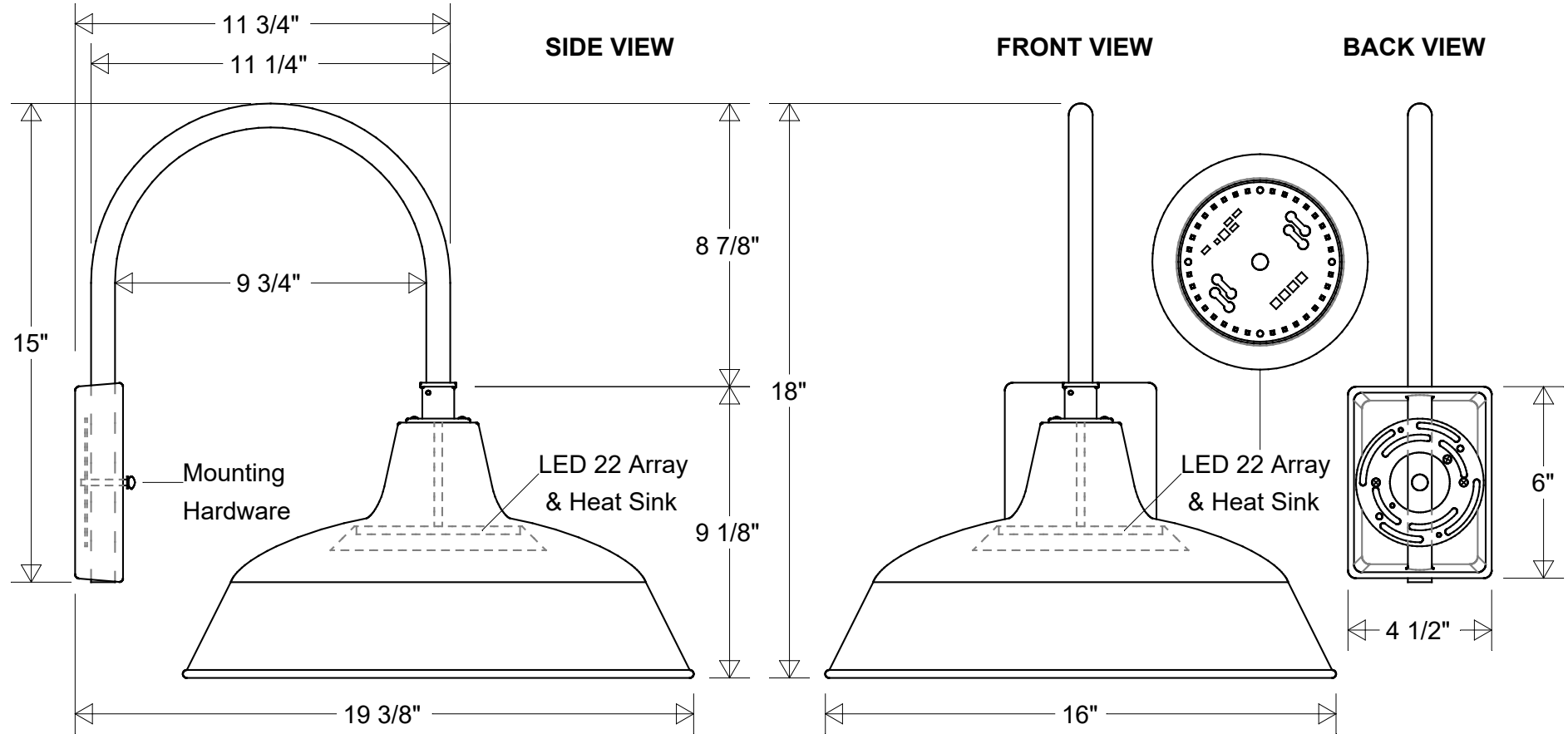


# Primelite Manufacturing Corp

407 S Main St, Freeport, NY 11520

Phone: 516-868-4411 | Fax: 516-868-4609  
 sales@primelite-mfg.com | www.primelite-mfg.com

PART # #23/16-863 LED 22	LAMP Built-In LED	VOLTAGE 120 V	COLOR Powder Coated Paint
JOB NAME			TYPE Gooseneck



<b>Lamp: LED 22 Array</b> 100 W Inc Equivalent 3K = 1850 Lumens 4K = 1900 Lumens	Initials	Date	<b>Gooseneck #23/16-863 LED 22</b>		
	Drawn	CB			06/2022
	Checked			16" Dia   19 3/8" Ext   18" H	
	ENG Appr.				
Construction: Aluminum	MFR Appr.		Size	Drawing No.	Rev
	QA		<b>A</b>	<b>0001</b>	<b>A</b>
Unless Otherwise Specified: Dimensions in Inches	Weight:		Scale	CAD File	Sheet
					<b>1 of 1</b>

Revisions				
Zone	Rev	Description	Date	Appr