

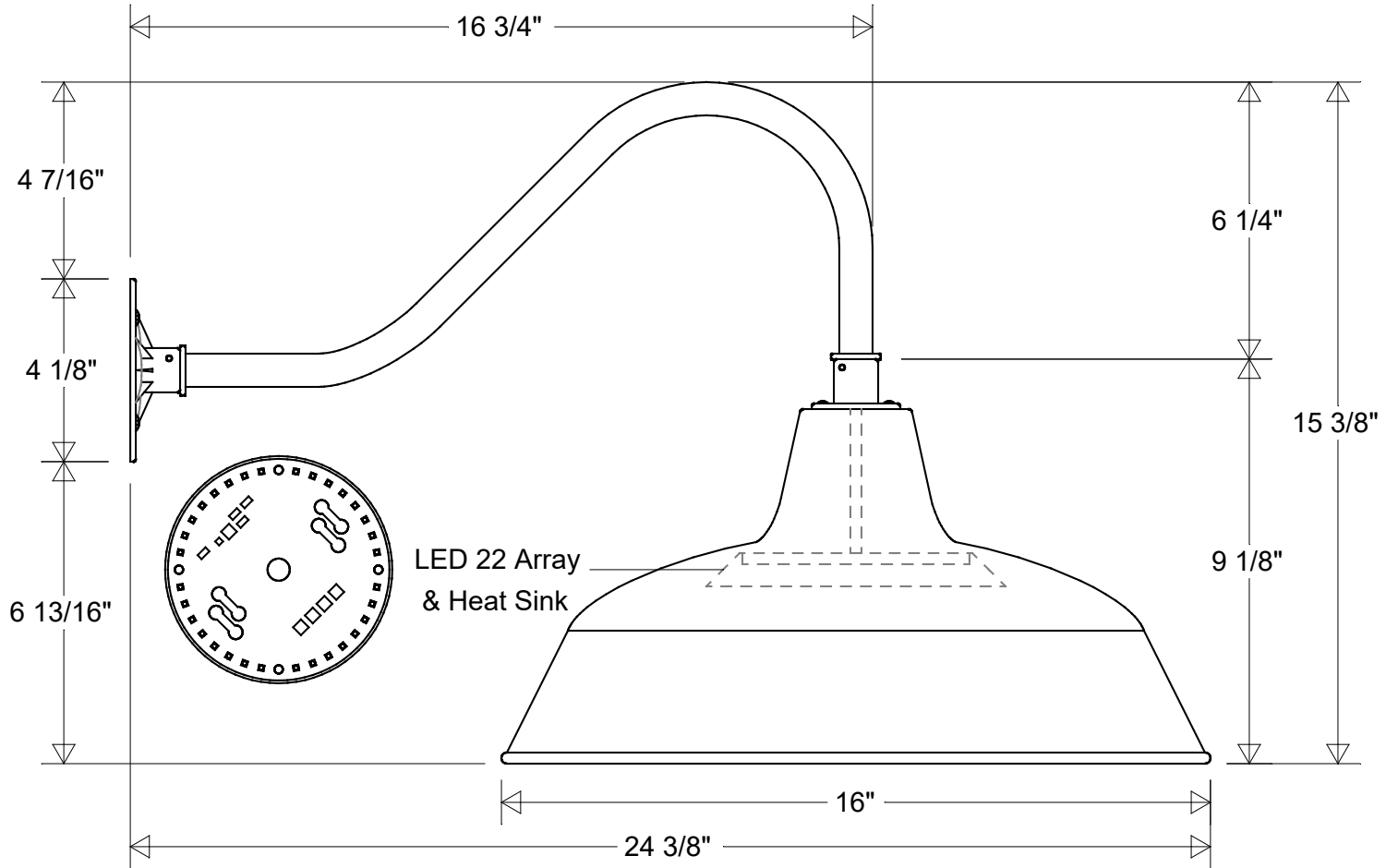


Primelite Manufacturing Corp

407 S Main St, Freeport, NY 11520

Phone: 516-868-4411 | Fax: 516-868-4609
 sales@primelite-mfg.com | www.primelite-mfg.com

PART # #23/16-859	LAMP LED 22	VOLTAGE 120 V	COLOR Powder Coated Paint
JOB NAME			TYPE Gooseneck



Lamp: LED 22 Array
 100 W Inc Equivalent
 3K = 1950 Lumens
 4K = 2130 Lumens



Initials	Date	#23/16-859 LED 22	
Drawn	CB 05/2023		
Checked		16" Dia 24 3/8" Ext 15 3/8" H	
ENG Appr.		6 1/4" Drop 6 13/16" Below Box	
MFR Appr.		Size	Drawing No.
QA		A	0001
Weight:		Scale	Sheet
Unless Otherwise Specified: Dimensions in Inches			1 of 1

Revisions				
Zone	Rev	Description	Date	Appr