

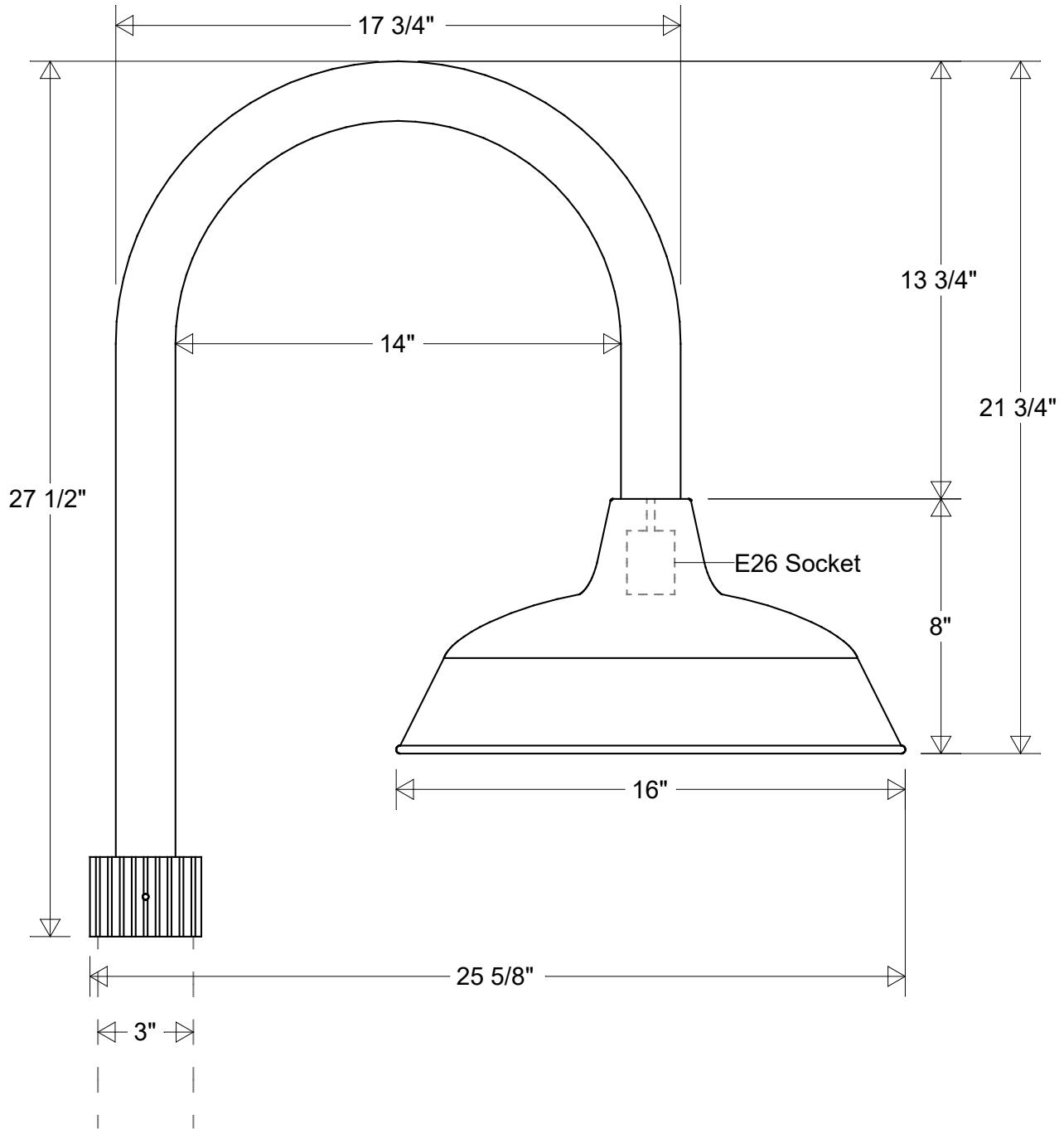



# Primelite Manufacturing Corp

407 S Main St, Freeport, NY 11520

Phone: 516-868-4411 | Fax: 516-868-4609  
 sales@primelite-mfg.com | www.primelite-mfg.com

<b>PART #</b> #23/16-1962	<b>LAMP</b> E26 Socket	<b>VOLTAGE</b> 120 V	<b>COLOR</b> Powder Coated Paint
<b>JOB NAME</b>		<b>TYPE</b> Heavy Gauge Gooseneck Post Light	



<b>Lamp: E26 Socket</b> Max Wattage: 200 W 	<b>Initials</b> Drawn: CB Checked: ENG Appr.: MFR Appr.: QA:	<b>Date</b> 04/2023	<h2>#23/16-1962</h2>			<b>Revisions</b>				
	16" Dia   25 5/8" Ext   27 1/2" H Fits 3" OD Round Posts and Pier Mounts			<b>Zone</b>	<b>Rev</b>	<b>Description</b>	<b>Date</b>	<b>Appr</b>		
	<b>Construction:</b> Aluminum	<b>Weight:</b>	<b>Scale:</b>	<b>Size:</b> <b>A</b>	<b>Drawing No.:</b> <b>0001</b>	<b>Rev:</b> <b>A</b>				
<b>Unless Otherwise Specified:</b> Dimensions in Inches				<b>CAD File:</b>	<b>Sheet:</b> <b>1 of 1</b>					