

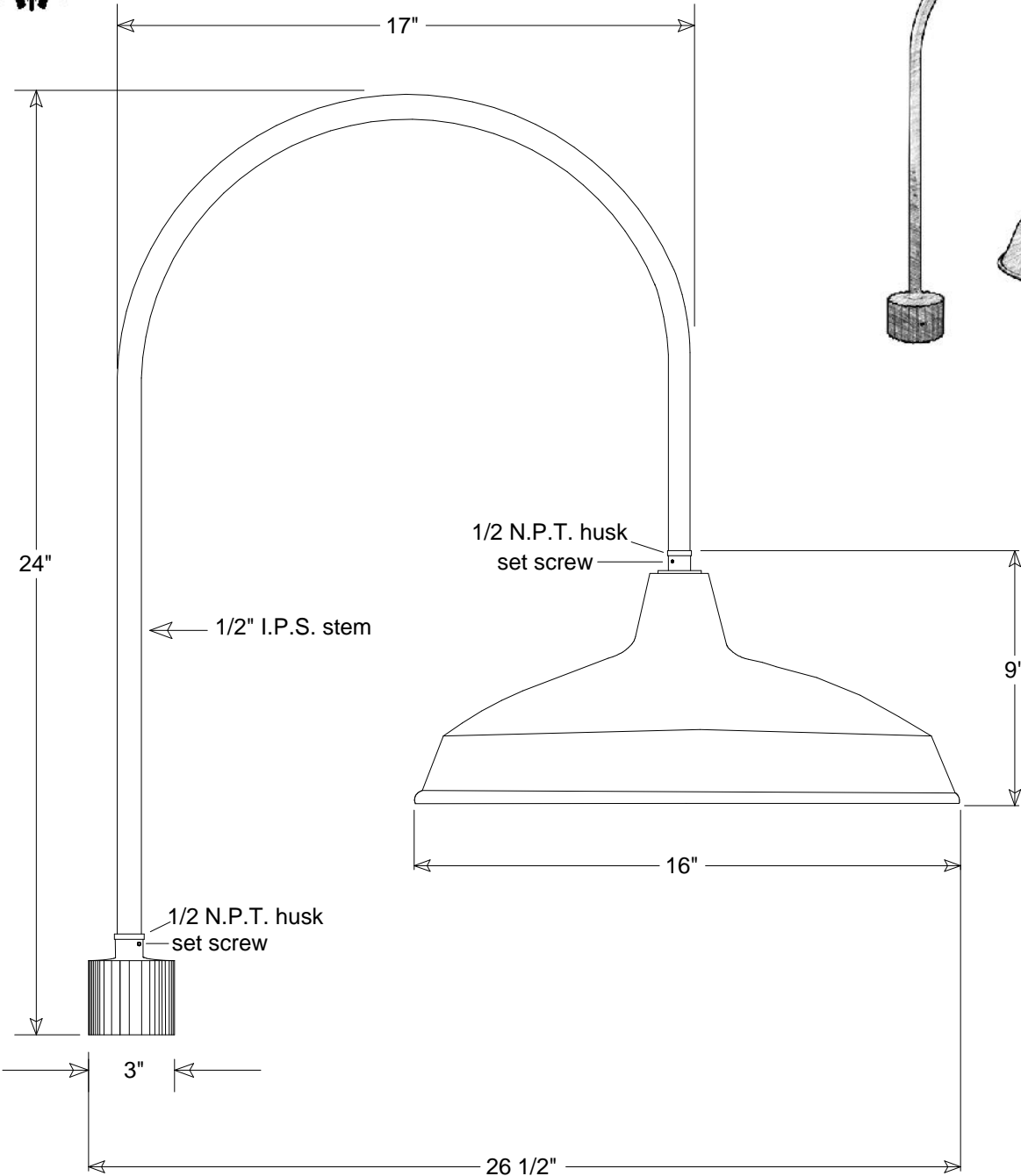


Primelite Manufacturing Corp

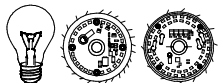
407 S Main St, Freeport, NY 11520

Phone: 516-868-4411 | Fax: 516-868-4609
 sales@primelite-mfg.com | www.primelite-mfg.com

PART # #23/16-1862	LAMP Incandescent LED	VOLTAGE 120V	COLOR Powder Coated Paint
JOB NAME			TYPE Post Mount



Lamp: Incandescent | LED



1/200A | LED12 | LED22

Name Date

iv 09/17/18

Post Mount #23/16-1862

16" Dia Pendant | 3" Post

Construction: Aluminum

Unless Otherwise Specified:
Dimensions in Inches

Size

A

Drawing No.

0001

Rev

A

Comments

Scale

CAD File

Sheet

1 of 1

Revisions				
Zone	Rev	Description	Date	Approved