



# Primelite Manufacturing Corp

407 S Main St, Freeport, NY 11520

Phone: 516-868-4411 | Fax: 516-868-4609

sales@primelite-mfg.com | www.primelite-mfg.com

PART #

#23/16-1595

LAMP

Built-In LED

VOLTAGE

120 V

COLOR

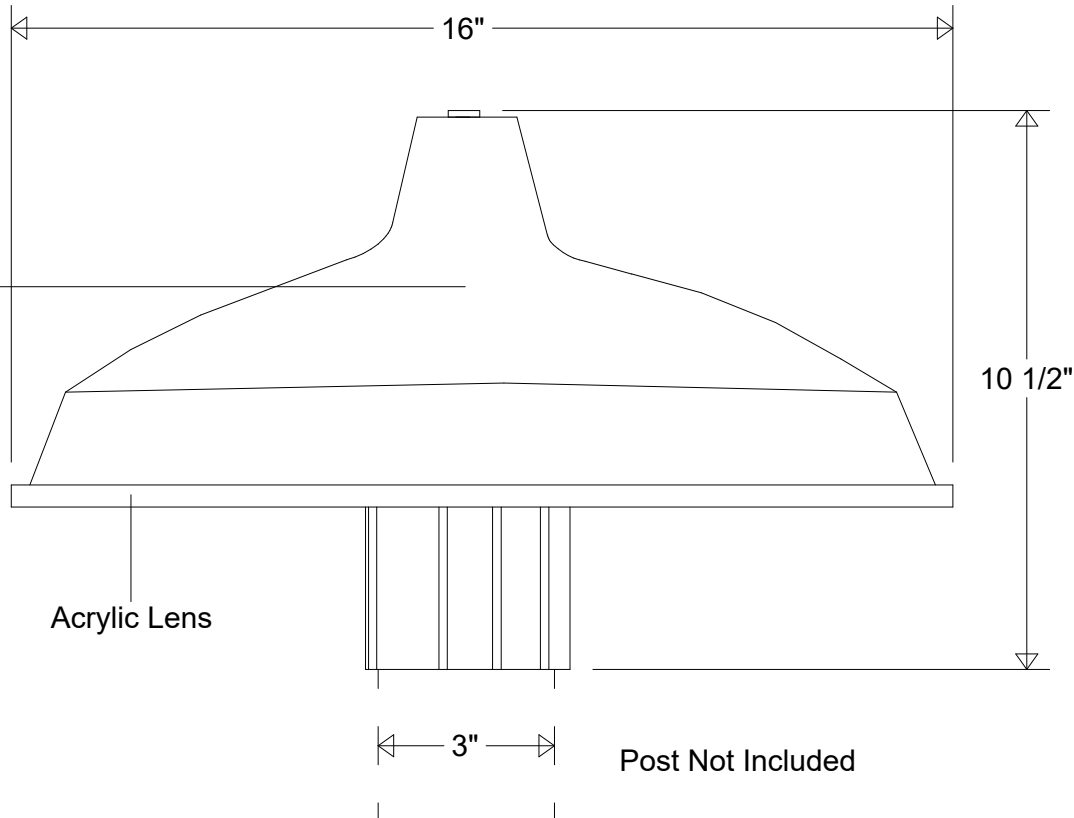
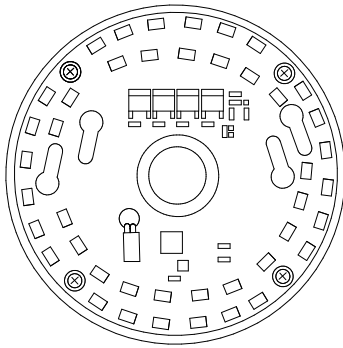
Powder Coated Paint

JOB NAME

TYPE

Post Light

LED 22 Array  
& Heat Sink



Lamp: LED 22 Array  
1800 Lumens | 100 W Inc Equivalent



Name

Date

**Post Light #23/16-1595 LED 22**

Drawn CB 01/2021

Checked

ENG Appr.

MFR Appr.

QA

Weight

16" Dia | 10 1/2" H | Acrylic Lens  
Dark Sky Friendly

Size

Drawing No.

Rev

**A**

**0001**

**A**

Scale

CAD File

Sheet

**1 of 1**

Revisions

| Zone | Rev | Description | Date | Approved |
|------|-----|-------------|------|----------|
|      |     |             |      |          |
|      |     |             |      |          |
|      |     |             |      |          |