



Primelite Manufacturing Corp

407 S Main St, Freeport, NY 11520

Phone: 516-868-4411 | Fax: 516-868-4609

sales@primelite-mfg.com | www.primelite-mfg.com

PART #

#23/16-1595

LAMP

Built-In LED

VOLTAGE

120 V

COLOR

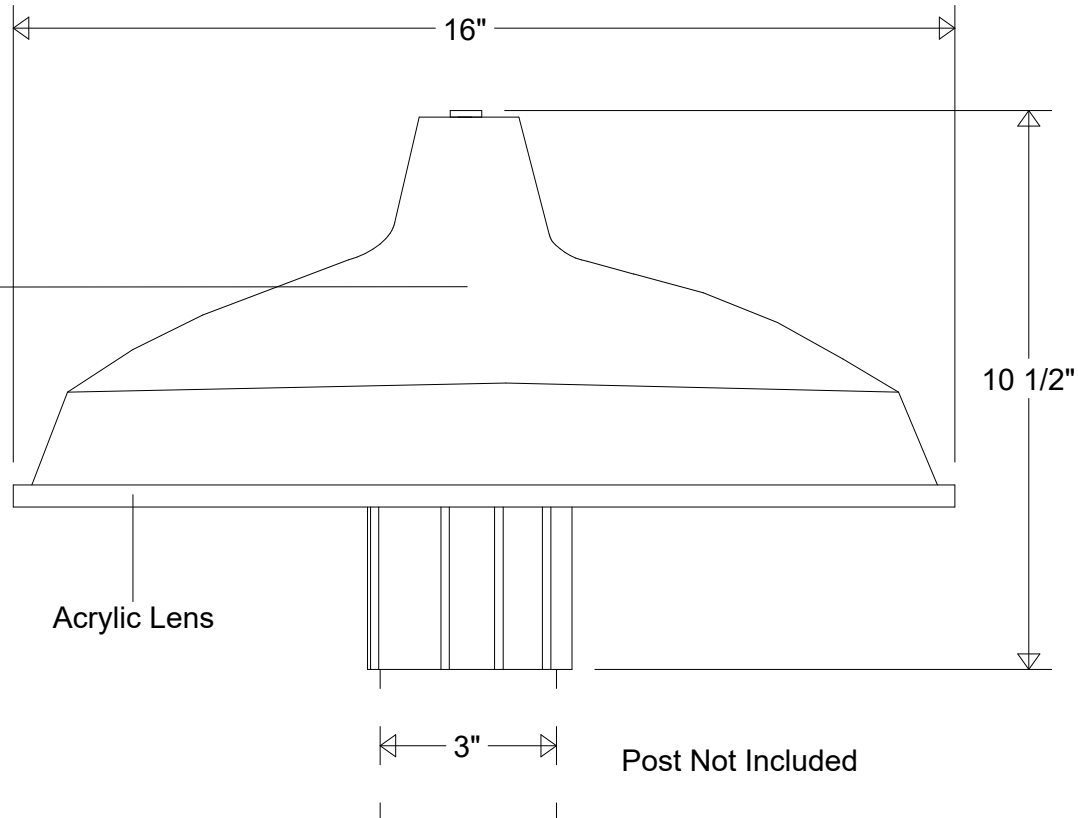
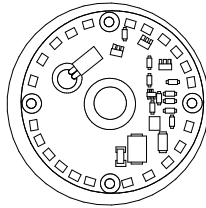
Powder Coated Paint

JOB NAME

TYPE

Post Light

LED 12 Array
& Heat Sink



Lamp: LED 12 Array
800 Lumens | 60 W Inc Equivalent



Name

Date

Post Light #23/16-1595 LED 12

Drawn CB 01/2021

Checked

ENG Appr.

MFR Appr.

QA

Weight

16" Dia | 10 1/2" H | Acrylic Lens
Dark Sky Friendly

Size

Drawing No.

Rev

A

0001

A

Construction: Aluminum | Acrylic

Unless Otherwise Specified:
Dimensions in Inches

Scale

CAD File

Sheet

1 of 1

Revisions

Zone	Rev	Description	Date	Approved