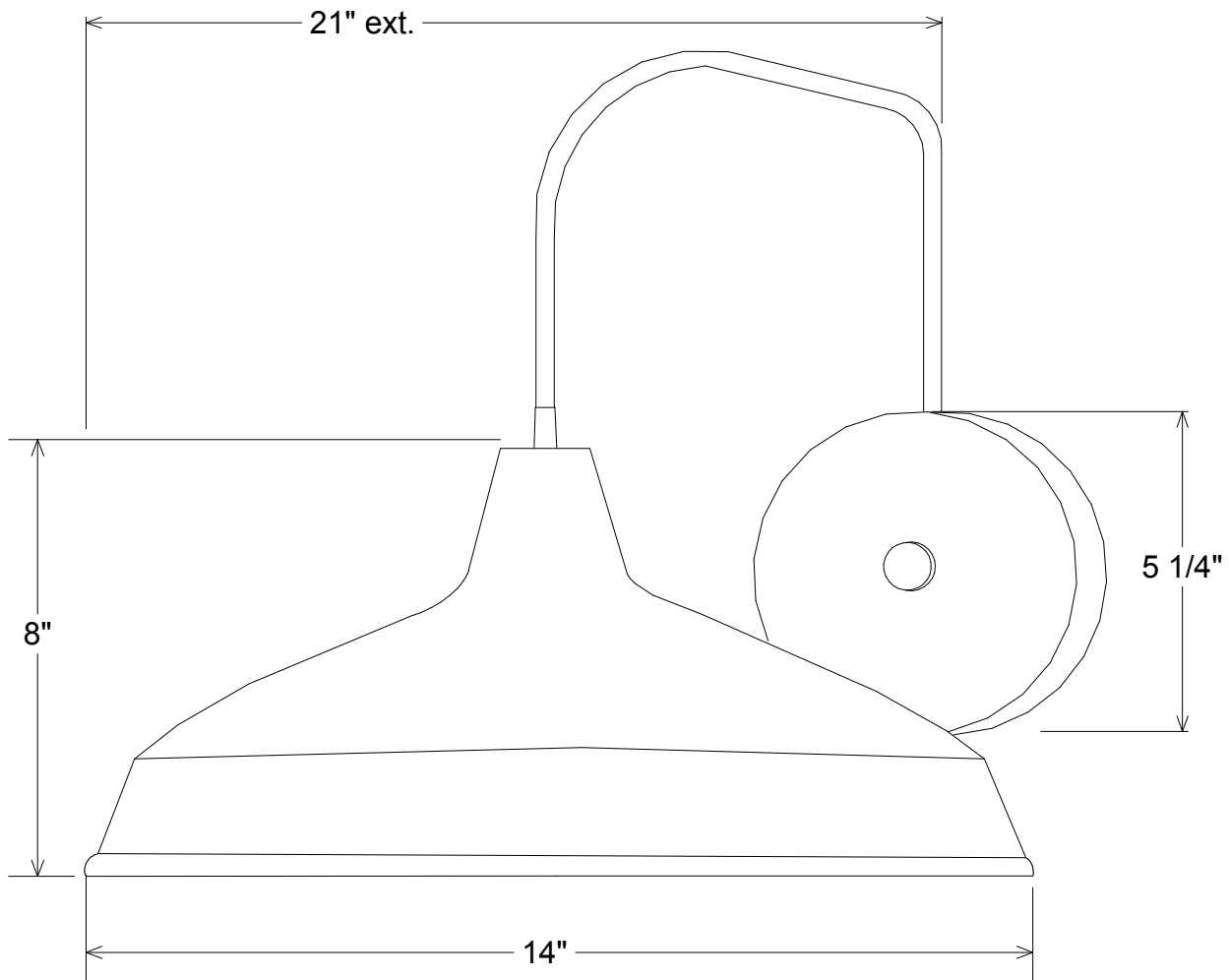


Revisions				
Zone	Rev	Description	Date	Approved



Unless Otherwise Specified: Dimensions in Inches Tolerances: Fractional ± Angular: Mach ± Bend ± Two Place Decimal ± Three Place Decimal ±	Name	Date	Primelite Mfg. Corp. 23/14B	
	Drawn	T.A.R.		
	Checked			Size A Drawing No. 0001 Rev A
	ENG Appr.			
	MFR Appr.			
QA			Scale 1:3 CAD File Sheet 1 of 1	
Comments	CAD Generated Drawing Do Not Manually Update			
Construction: All Aluminum				
Lamp: 1-150A				