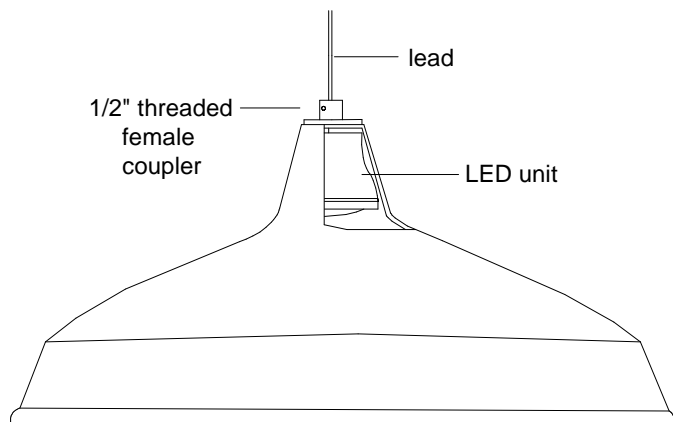
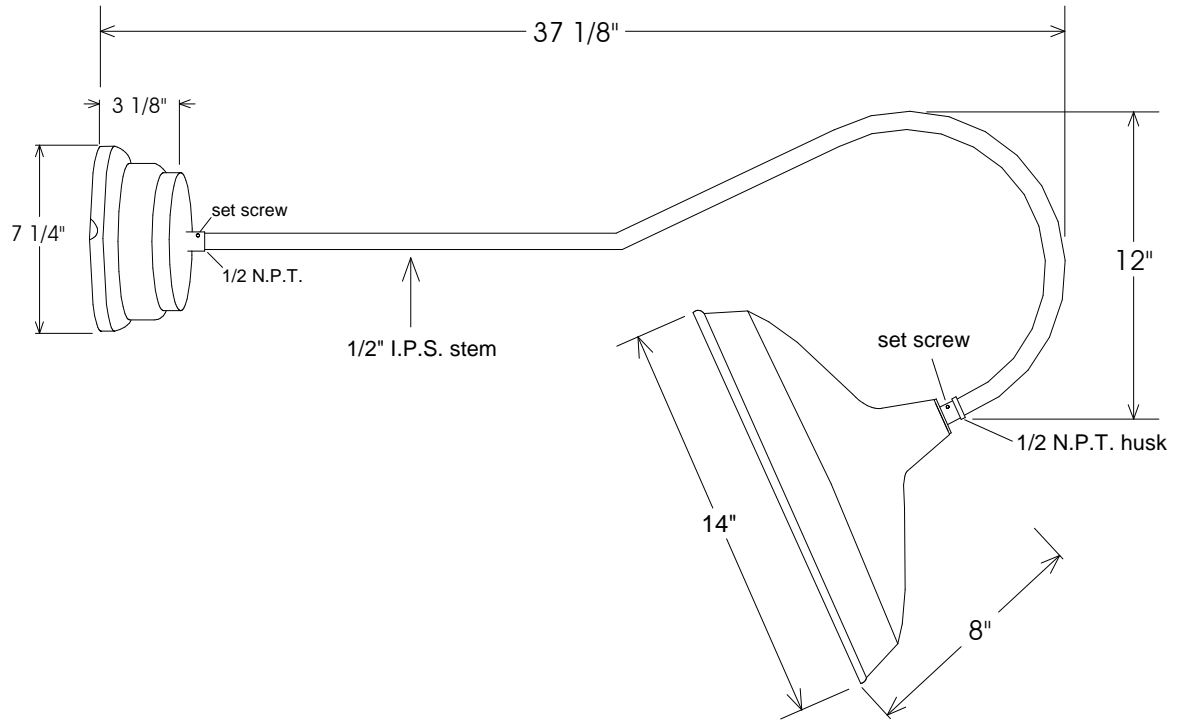
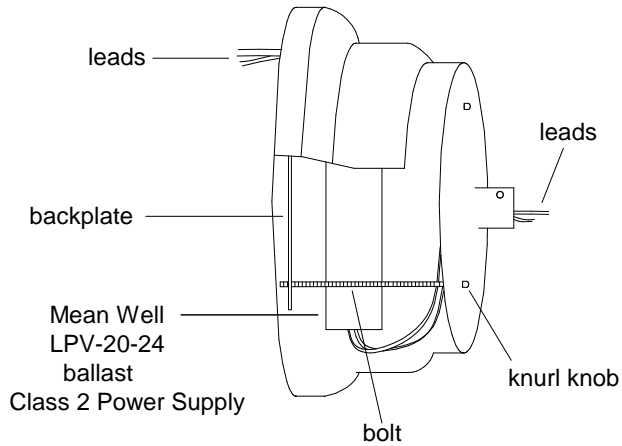


Small Ballast Pot Canopy



23/14A Shade

- 50,000 hour life
- Average savings is \$39.42 per year as compared to a 75 Watt incandescent
- Savings of \$ 518.16 for the life of the fixture
- Lumen output is equal to a 75 Watt bulb.

| | | | | | | |
|--|---|------------------|--|----------------------------|------------------------|--|
| Unless Otherwise Specified: Dimensions in Inches Tolerances: Fractional ± Angular: Mach ± Bend ± Two Place Decimal ± Three Place Decimal ± | Name T.A.R. | Date 02/07/12 | Primelite Mfg. Corp. 23/14-864 LED 24 Watt 1000 Lumens @ 3000K 1250 Lumens @ 4000K 24 Volt Output | | | |
| | Drawn | | | | | |
| | Checked | | | | | |
| | ENG Appr. | | | | | |
| | MFR Appr. | | | | | |
| Construction: All Aluminum | Comments CAD Generated Drawing Do Not Manually Update | | Size A | Drawing No. 0001 | Rev A | |
| Pipe Size: 1/2" | | | Scale | CAD File | Sheet 1 of 1 | |