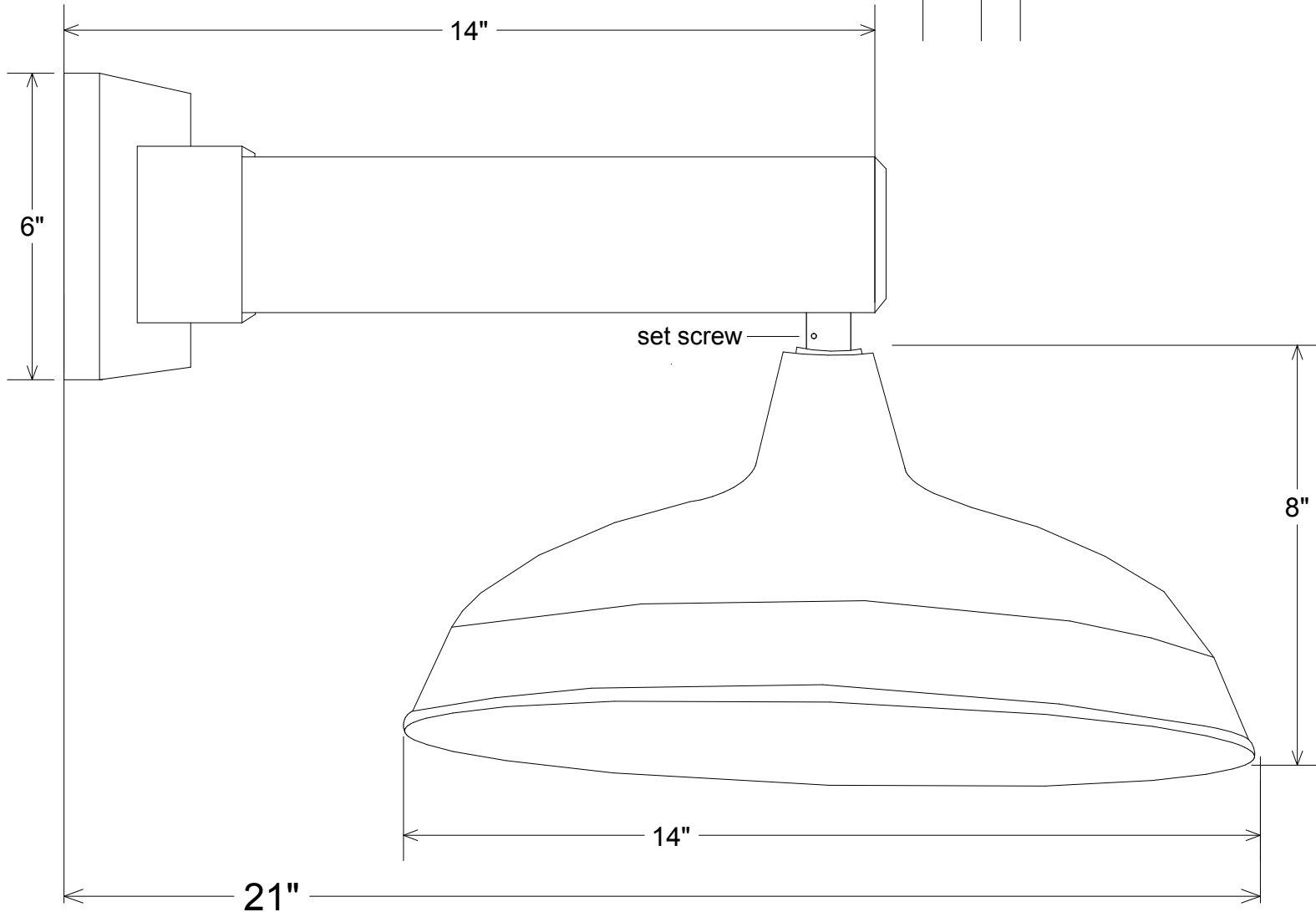


Revisions			Date	Approved
Zone	Rev	Description		



**Unless Otherwise Specified:**

Dimensions in Inches  
 Tolerances: Fractional ±  
 Angular: Mach ± Bend ±  
 Two Place Decimal ±  
 Three Place Decimal ±

**Construction: All Aluminum**

**Pipe Size: 1/2"**

**Lamp: 1-150A**

	Name	Date
Drawn	T.A.R.	11/18/09
Checked		
ENG Appr.		
MFR Appr.		
QA		

**Comments**  
 CAD Generated Drawing  
 Do Not Manually Update

**Primelite Mfg. Corp.**

**23/14-861**

Size <b>A</b>	Drawing No. <b>0001</b>	Rev <b>A</b>
Scale <b>1:4</b>	CAD File	Sheet <b>1 of 1</b>