



# Primelite Manufacturing Corp

407 S Main St, Freeport, NY 11520

Phone: 516-868-4411 | Fax: 516-868-4609

sales@primelite-mfg.com | www.primelite-mfg.com

PART #

#23/14-859

LAMP

Built-In LED

VOLTAGE

120 V

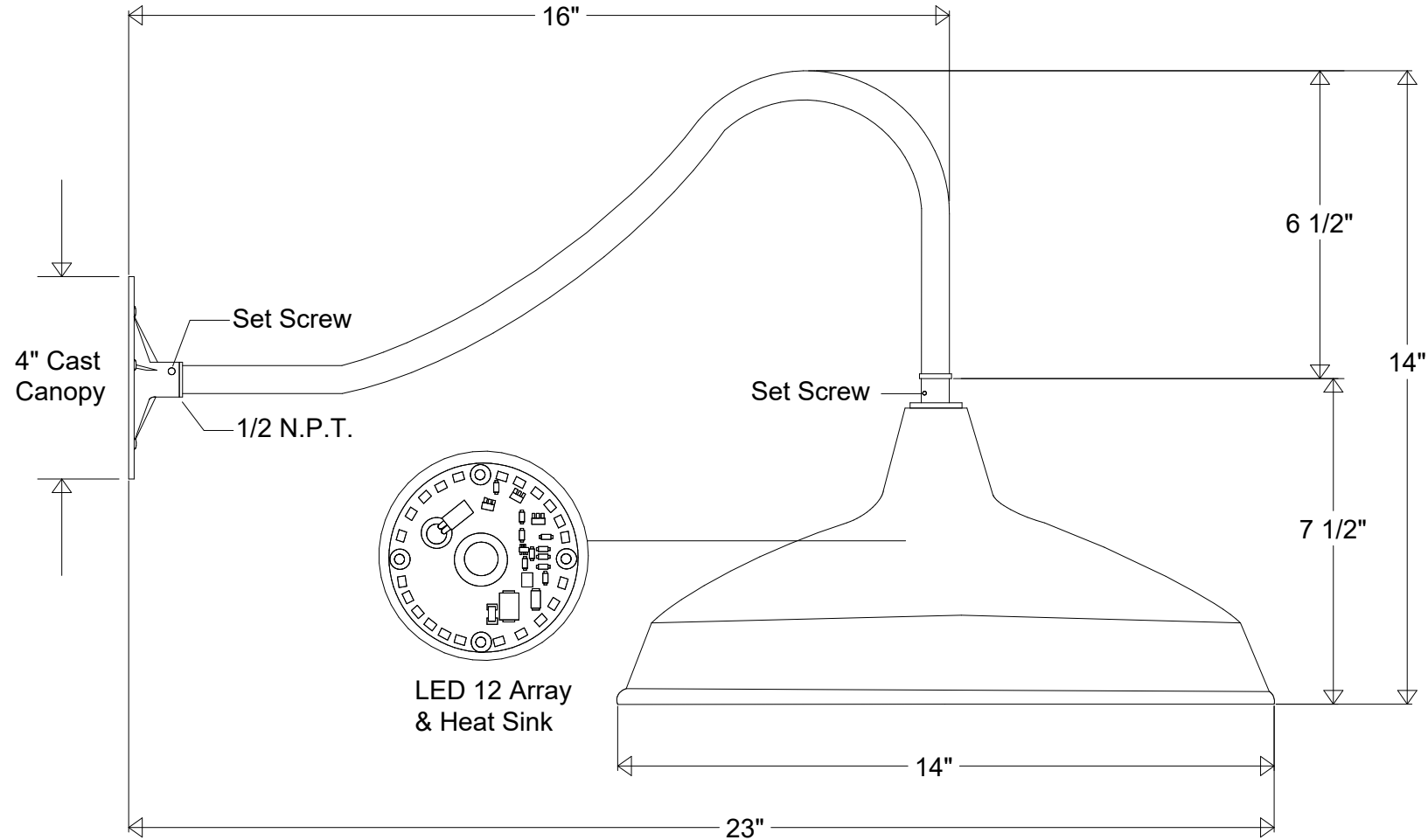
COLOR

Powder Coated Paint

JOB NAME

TYPE

Gooseneck



Lamp: LED 12 Array  
800 Lumens | 60 W Inc Equivalent



Name	Date	Gooseneck #23/14-859 LED 12		
Drawn	CB	5/2020	14" Dia   14" H   23" Ext	
Checked				
ENG Appr.				
MFR Appr.			Size	Drawing No.
QA			<b>A</b>	<b>0001</b>
Weight			Rev	<b>A</b>
		Scale	CAD File	Sheet
				<b>1 of 1</b>

Revisions				
Zone	Rev	Description	Date	Approved