



# Primelite Manufacturing Corp

407 S Main St, Freeport, NY 11520

Phone: 516-868-4411 | Fax: 516-868-4609

sales@primelite-mfg.com | www.primelite-mfg.com

PART #

#23/14-859-EE

LAMP

Built-In LED

VOLTAGE

120 V

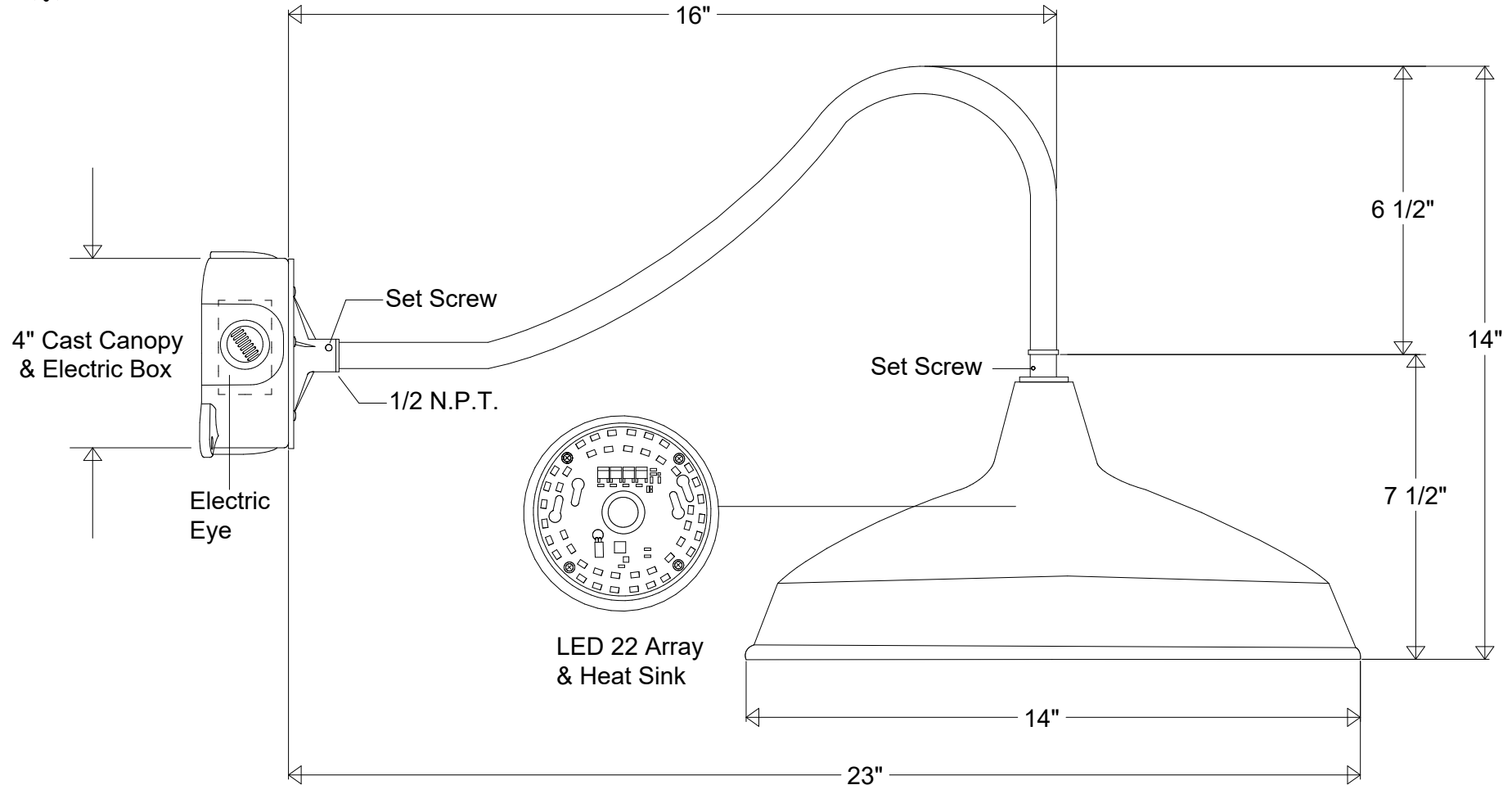
COLOR

Powder Coated Paint

JOB NAME

TYPE

Gooseneck



Lamp: LED 22 Array  
1800 Lumens | 100 W Inc Equivalent



Name Date

Drawn CB 5/2020

Checked

ENG Appr.

MFR Appr.

QA

Weight

## Gooseneck #23/14-859-EE LED 22

14" Dia | 14" H | 23" Ext  
Dusk to Dawn Sensor

Size Drawing No. Rev  
**A 0001 A**

Scale CAD File Sheet  
**1 of 1**

Revisions

Zone	Rev	Description	Date	Approved