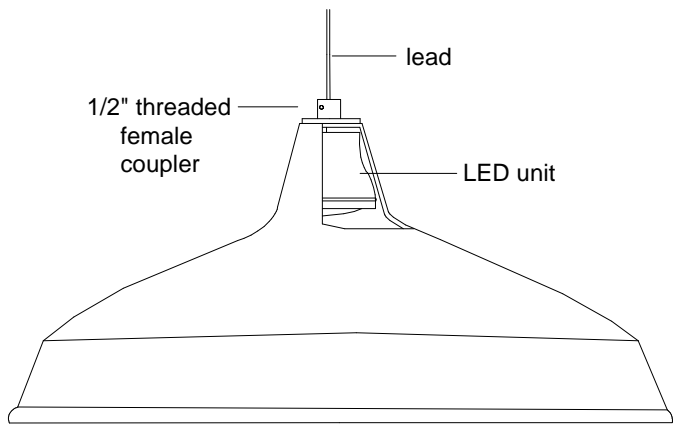
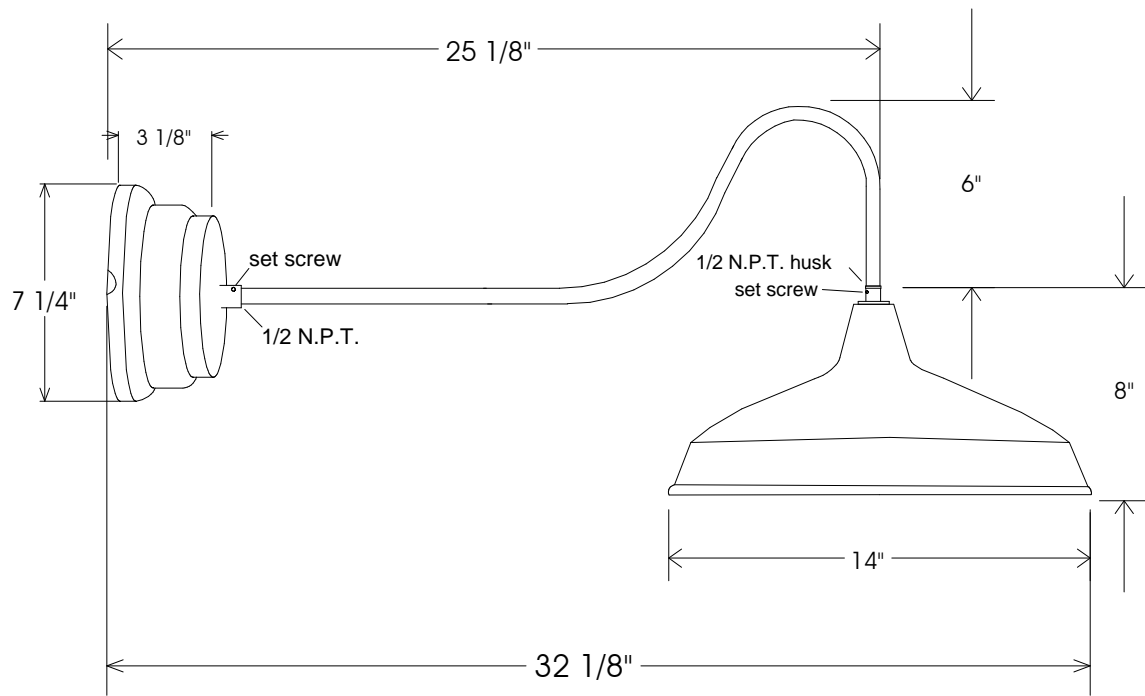
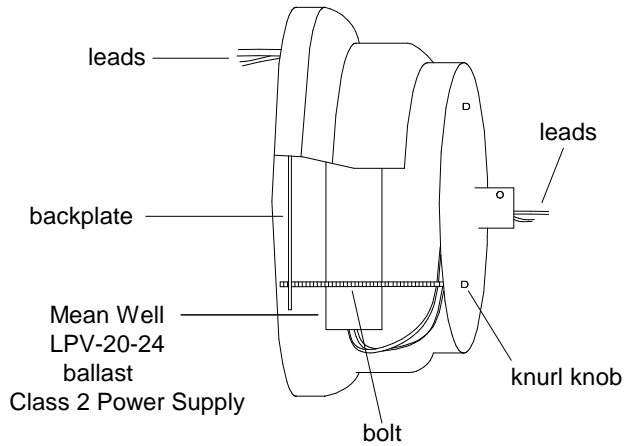


Small Ballast Pot Canopy



23/14A Shade

- 50,000 hour life
- Average savings is \$39.42 per year as compared to a 75 Watt incandescent
- Savings of \$ 518.16 for the life of the fixture
- Lumen output is equal to a 75 Watt bulb.

Unless Otherwise Specified:		Name		Date		Primelite Mfg. Corp.		
Dimensions in Inches		Drawn	T.A.R.	02/07/12				
Tolerances: Fractional ±		Checked				23/14-857 LED 24 Watt 1000 Lumens @ 3000K 1250 Lumens @ 4000K 24 Volt Output		
Angular: Mach ± Bend ±		ENG Appr.						
Two Place Decimal ±		MFR Appr.						
Three Place Decimal ±		QA						
Construction: All Aluminum		Comments				Size	Drawing No.	Rev
Pipe Size: 1/2"		CAD Generated Drawing Do Not Manually Update				A	0001	A
		Scale		CAD File		Sheet		1 of 1