

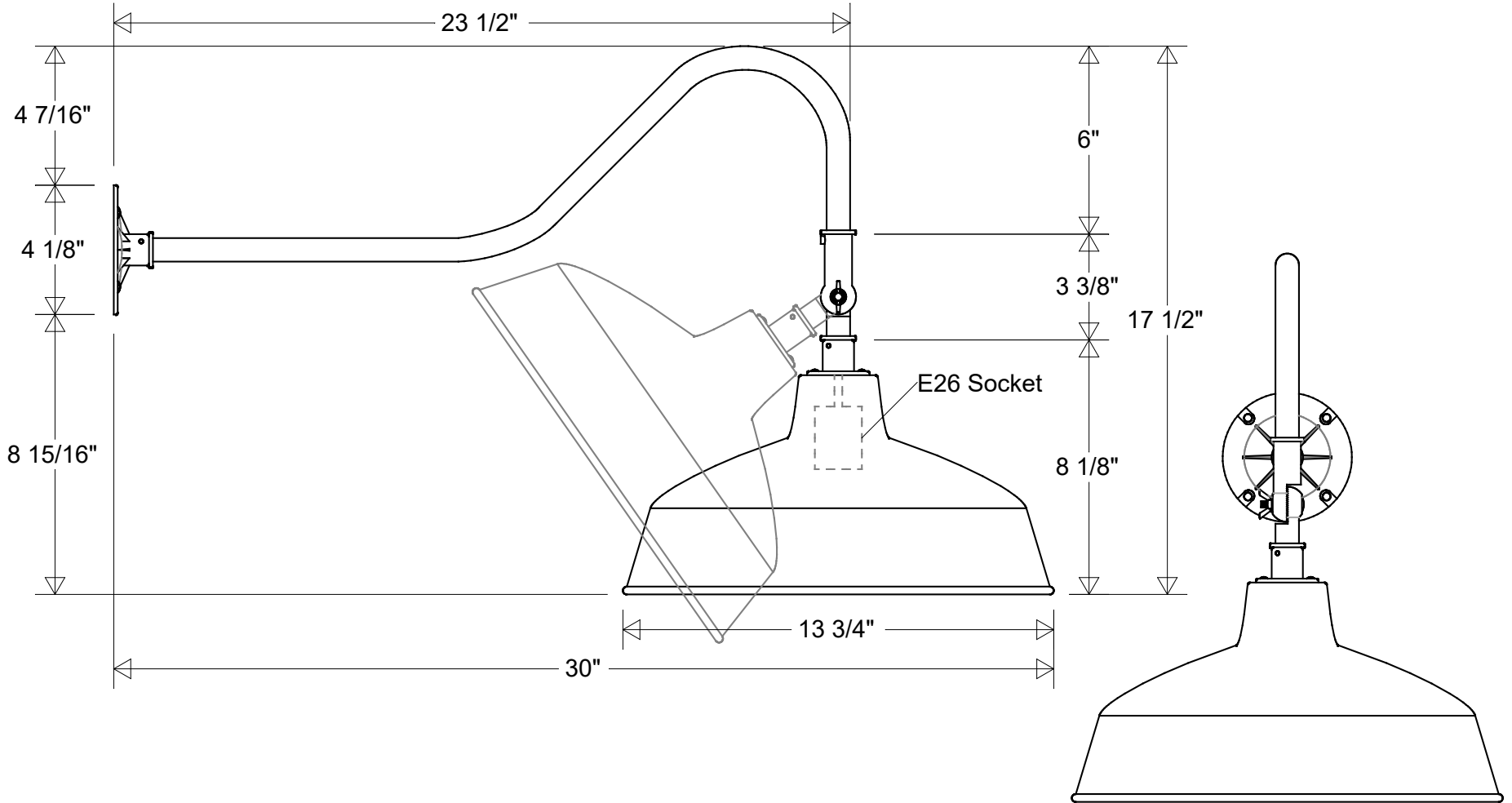



Primelite Manufacturing Corp

407 S Main St, Freeport, NY 11520

Phone: 516-868-4411 | Fax: 516-868-4609
 sales@primelite-mfg.com | www.primelite-mfg.com

PART # #23/14-850 ESW	LAMP E26 Socket	VOLTAGE 120 V	COLOR Powder Coated Paint
JOB NAME			TYPE Gooseneck



Lamp: E26 Socket Max Wattage: 150 W 	Initials	Date	Gooseneck #23/14-850 ESW			
	Drawn	CB			09/2022	
	Checked			13 3/4" Dia 30" Ext 17 1/2" H		
Construction: Aluminum	ENG Appr.		6" Drop 8 15/16" Below Box	Size	Drawing No.	Rev
Unless Otherwise Specified: Dimensions in Inches	MFR Appr.			A	0001	A
	QA					
Weight:			Scale	CAD File	Sheet	1 of 1

Revisions				
Zone	Rev	Description	Date	Appr