

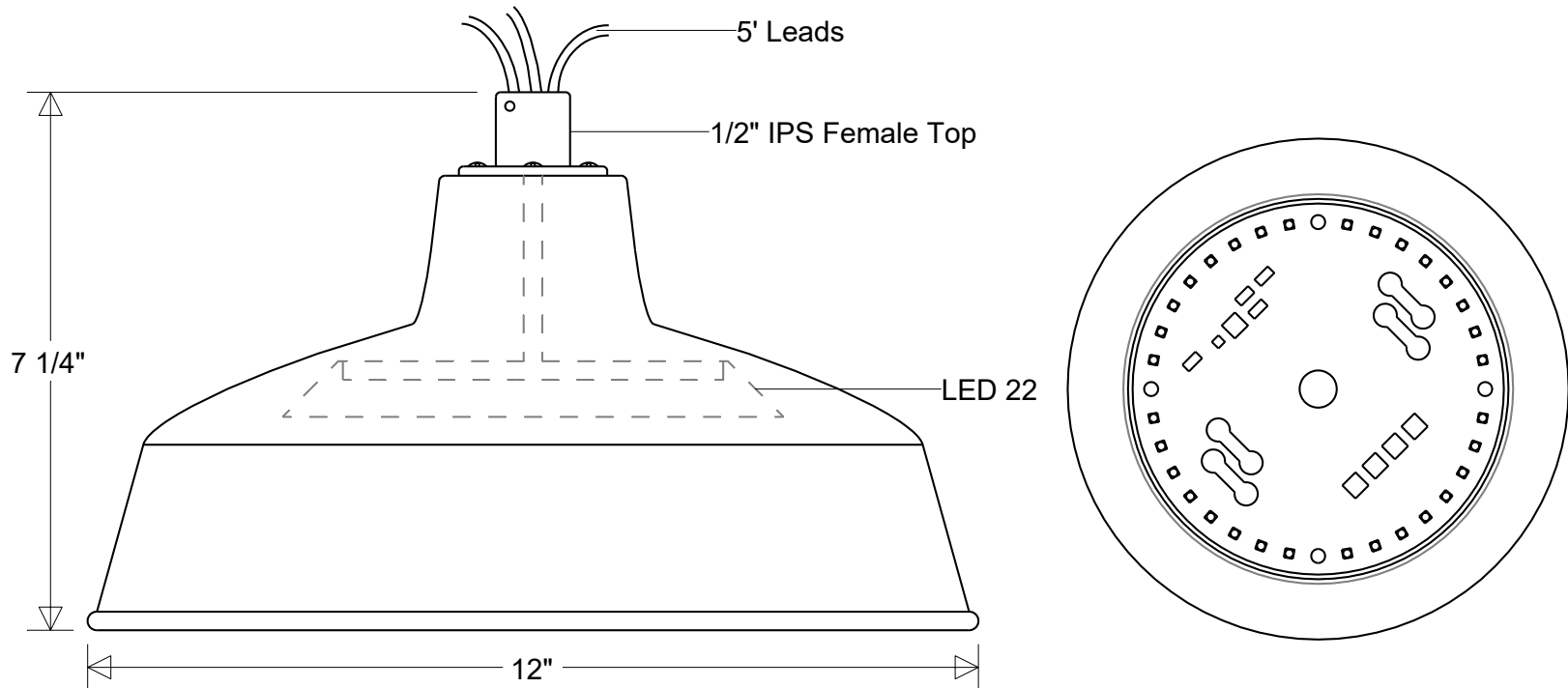


# Primelite Manufacturing Corp.

407 S Main St, Freeport, NY 11520  
 Phone: (516) 868-4411 | Fax: (516) 868-4609  
 sales@primelite-mfg.com | www.primelite-mfg.com

**PROUDLY MADE IN THE USA SINCE 1962!**  
**"SPECIALTIES ARE OUR SPECIALTY!"**

Job Info



## #23/12A LED 22

12" Dia | 7 1/4" H

Fits 1/2" IPS Threaded Stems and Arms

<b>Lamp: 22 W LED</b> 3K: 1950 Lumens 4K: 2130 Lumens	<b>Finish:</b> 29 Oven Baked Powder Coated Paints	<b>Drawn:</b> CB 05/2024	<b>Scale:</b> 1 : 2.5	<b>Approvals</b>	
<b>Voltage:</b> 120 V	<b>Material:</b> Aluminum	<b>Note:</b> All dimensions are nominal. Actual dimensions may vary.			