

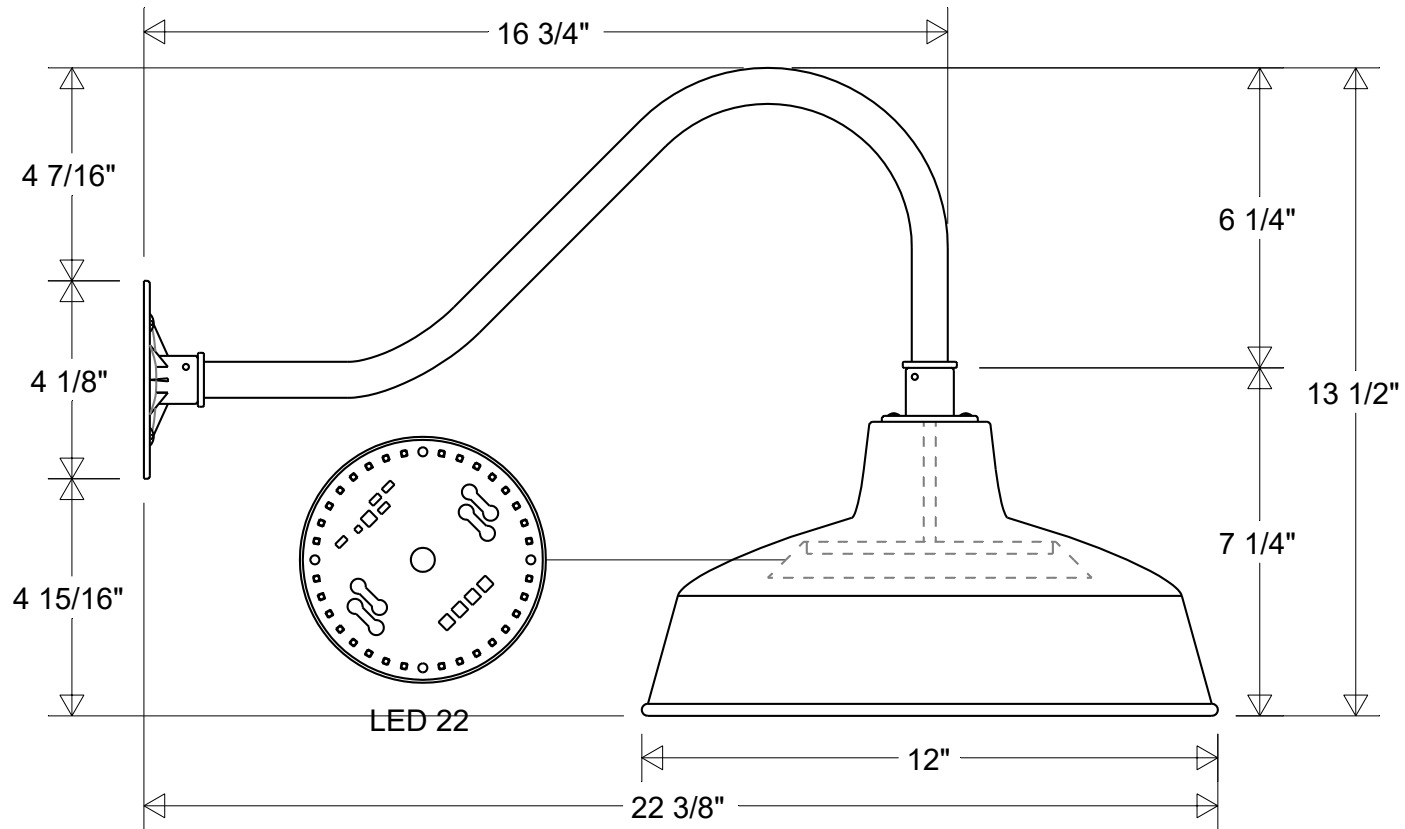


Primelite Manufacturing Corp.

407 S Main St, Freeport, NY 11520
 Phone: (516) 868-4411 | Fax: (516) 868-4609
 sales@primelite-mfg.com | www.primelite-mfg.com

PROUDLY MADE IN THE USA SINCE 1962!
"SPECIALTIES ARE OUR SPECIALTY!"

Job Info



#23/12-859 LED 22

12" Dia | 22 3/8" Ext | 13 1/2" H
 Shade: #23/12A | Arm: #859

Lamp: 22 W LED 3K: 1950 Lumens 4K: 2130 Lumens	Finish: 29 Oven Baked Powder Coated Paints	Drawn: CB 05/2024	Scale: 1/4	Approvals	
Voltage: 120 V	Material: Aluminum	Note: All dimensions are nominal. Actual dimensions may vary.			