

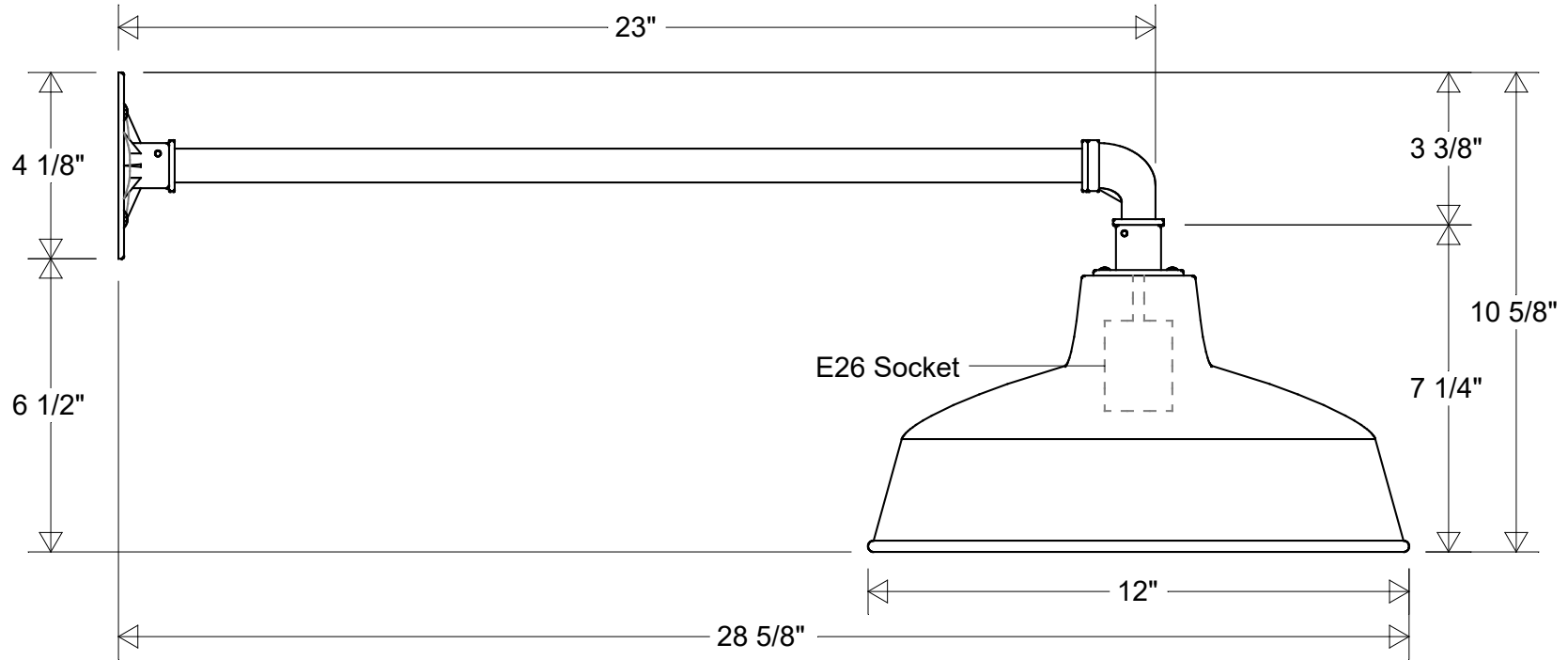



Primelite Manufacturing Corp

407 S Main St, Freeport, NY 11520

Phone: 516-868-4411 | Fax: 516-868-4609
 sales@primelite-mfg.com | www.primelite-mfg.com

PART # #23/12-855	LAMP E26 Socket	VOLTAGE 120 V	COLOR Powder Coated Paint
JOB NAME			TYPE Gooseneck



Lamp: E26 Socket Max Wattage: 150 W 	Initials	Date	<h2>#23/12-855</h2>																													
	Drawn	CB						05/2023																								
	Checked			12" Dia 28 5/8" Ext 10 5/8" H		Revisions <table border="1"> <thead> <tr> <th>Zone</th> <th>Rev</th> <th>Description</th> <th>Date</th> <th>Appr</th> </tr> </thead> <tbody> <tr><td> </td><td> </td><td> </td><td> </td><td> </td></tr> <tr><td> </td><td> </td><td> </td><td> </td><td> </td></tr> <tr><td> </td><td> </td><td> </td><td> </td><td> </td></tr> <tr><td> </td><td> </td><td> </td><td> </td><td> </td></tr> </tbody> </table>			Zone	Rev	Description	Date	Appr																			
Zone	Rev	Description	Date	Appr																												
ENG Appr.			3 3/8" Drop 6 1/2" Below Box																													
Construction: Aluminum	MFR Appr.		Size A	Drawing No. 0001	Rev A																											
Unless Otherwise Specified: Dimensions in Inches	Weight:		Scale	CAD File	Sheet 1 of 1																											