

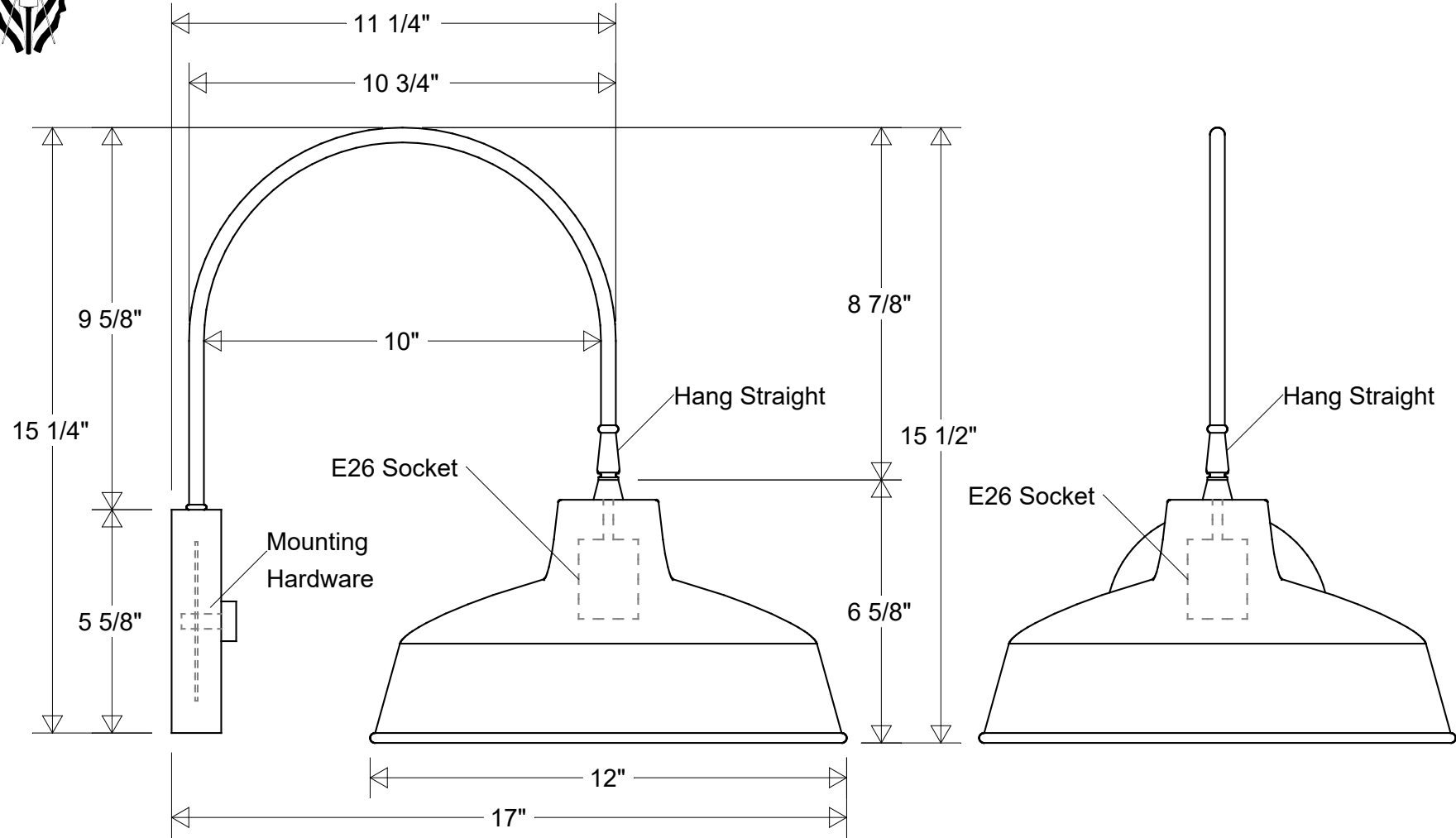



Primelite Manufacturing Corp

407 S Main St, Freeport, NY 11520

Phone: 516-868-4411 | Fax: 516-868-4609
 sales@primelite-mfg.com | www.primelite-mfg.com

PART # #23/12-611	LAMP E26 Socket	VOLTAGE 120 V	COLOR Powder Coated Paint
JOB NAME			TYPE Indoor Gooseneck



Lamp: E26 Socket Max Wattage: 100 W 	Initials	Date	Indoor Gooseneck #23/12-611		
	Drawn	CB			04/2022
	Checked			12" Dia 17" Ext 15 1/2" H 5 5/8" Round Canopy	
	ENG Appr.			1/8" IPS Stem Hang Straight	
Construction: Aluminum Steel	MFR Appr.		Size	Drawing No.	Rev
	QA		A	0001	A
Unless Otherwise Specified: Dimensions in Inches	Weight:		Scale	CAD File	Sheet
					1 of 1

Revisions				
Zone	Rev	Description	Date	Appr