

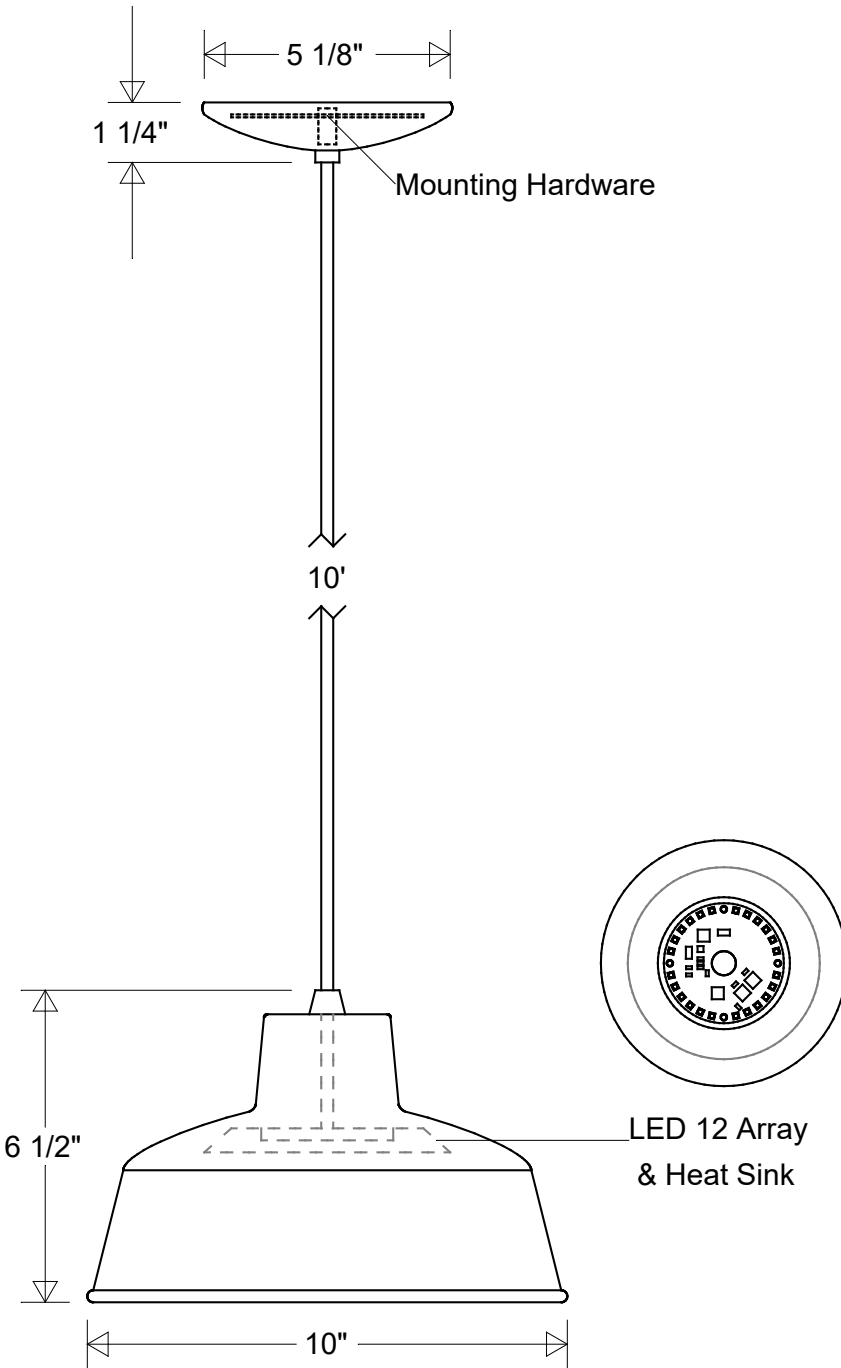


# Primelite Manufacturing Corp

407 S Main St, Freeport, NY 11520

Phone: 516-868-4411 | Fax: 516-868-4609  
 sales@primelite-mfg.com | www.primelite-mfg.com

PART # #23/10 LED 12	LAMP Built-In LED	VOLTAGE 120 V	COLOR Powder Coated Paint
JOB NAME			TYPE Pendant



**Lamp: LED 12 Array**

60 W Inc Equivalent  
 3K = 910 Lumens  
 4K = 1000 Lumens



	Initials	Date
Drawn	CB	07/2022
Checked		
ENG Appr.		
MFR Appr.		
QA		

## Pendant #23/10 LED 12

10" Dia | 6 1/2" H  
 10' Vinyl Cord: Black | White

Size	Drawing No.	Rev
<b>A</b>	<b>0001</b>	<b>A</b>

**Revisions**

Zone	Rev	Description	Date	Appr

Construction:  
 Aluminum

Unless Otherwise Specified:  
 Dimensions in Inches

Weight:	Scale	CAD File	Sheet
			<b>1 of 1</b>