

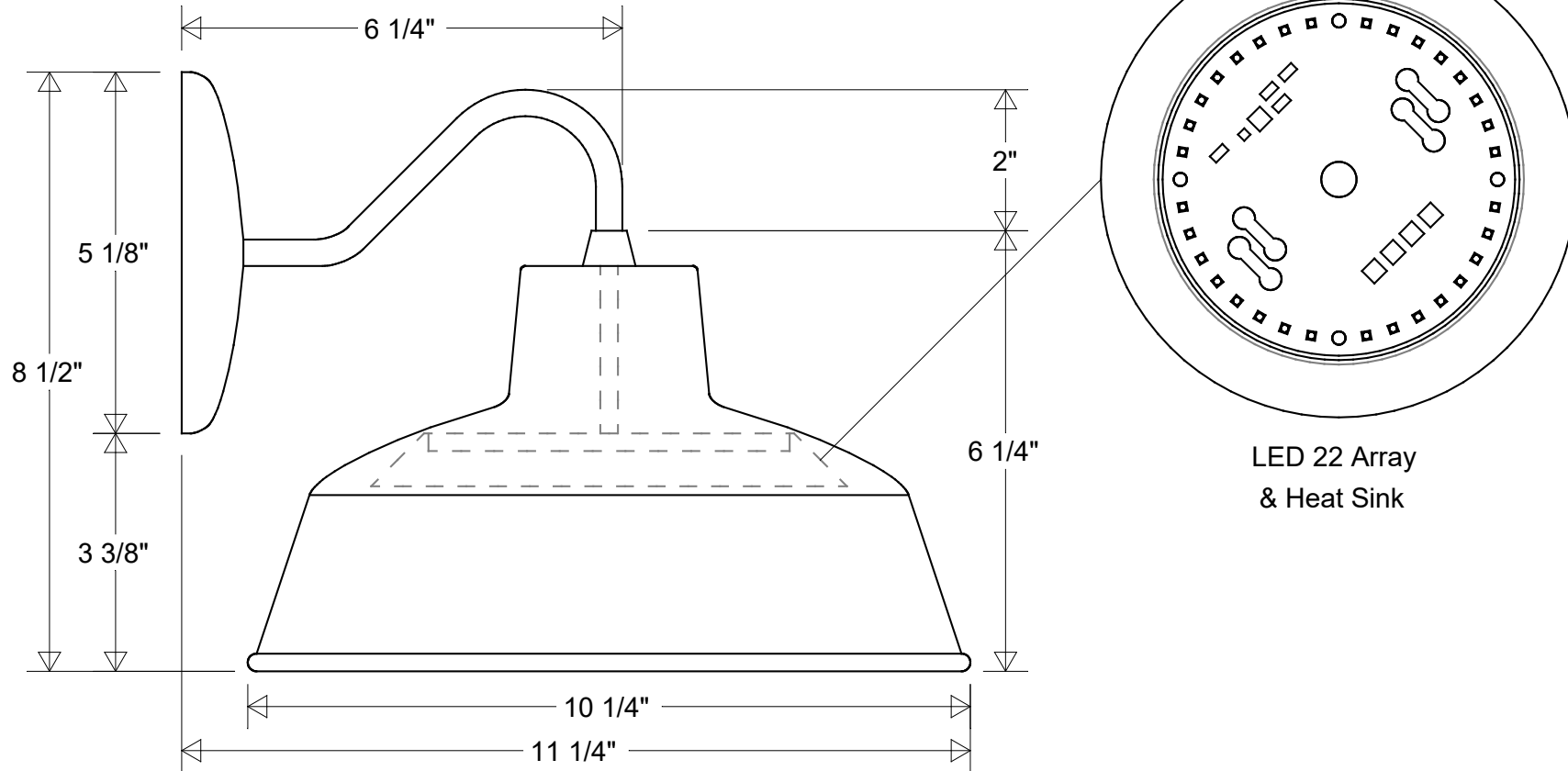


Primelite Manufacturing Corp

407 S Main St, Freeport, NY 11520

Phone: 516-868-4411 | Fax: 516-868-4609
 sales@primelite-mfg.com | www.primelite-mfg.com

PART # #23/10-614 LED 22	LAMP Built-In LED	VOLTAGE 120 V	COLOR Powder Coated Paint
JOB NAME			TYPE Gooseneck



Lamp: LED 22 Array 100 W Inc Equivalent 3K = 1950 Lumens 4K = 2130 Lumens	Initials	Date	#23/10-614 LED 22		
	Drawn	CB			02/2023
	Checked			10 1/4" Dia 11 1/4" Ext 8 1/2" H	
	ENG Appr.				
Construction: Aluminum	MFR Appr.		Size A	Drawing No. 0001	Rev A
Unless Otherwise Specified: Dimensions in Inches	Weight:		Scale	CAD File	Sheet 1 of 1

Revisions				
Zone	Rev	Description	Date	Appr