



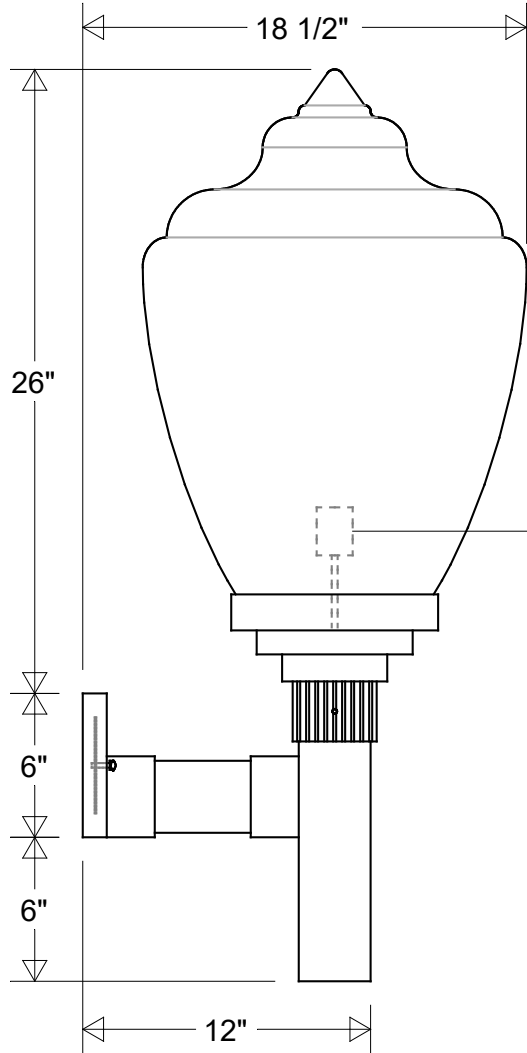
Primelite Manufacturing Corp

407 S Main St, Freeport, NY 11520

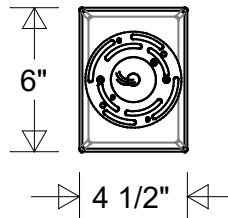
Phone: 516-868-4411 | Fax: 516-868-4609
 sales@primelite-mfg.com | www.primelite-mfg.com

PART # #2211	LAMP E26 Socket	VOLTAGE 120 V	COLOR Powder Coated Paint
JOB NAME			TYPE Wall Sconce

SIDE VIEW

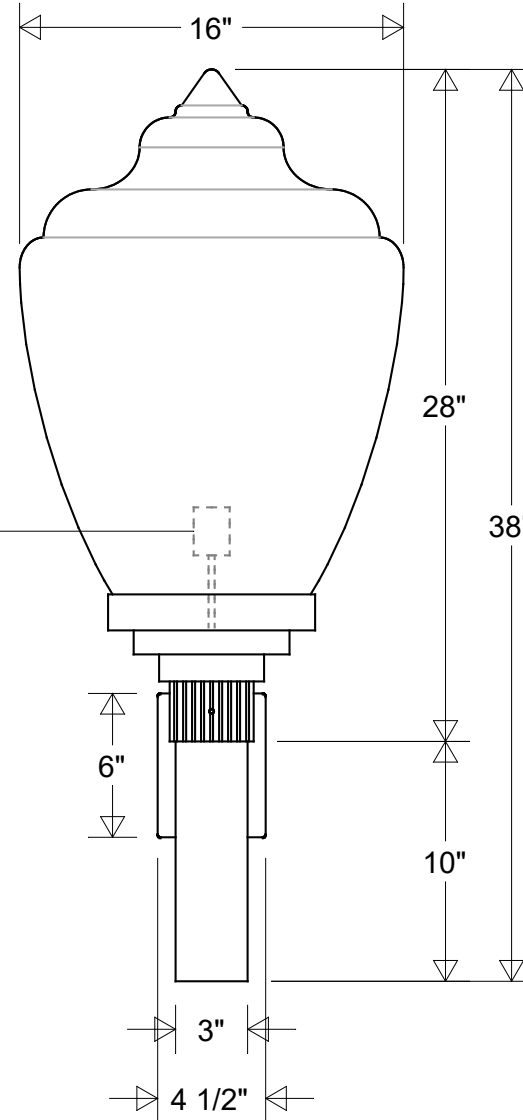



MOUNTING
HARDWARE



E26 Socket

FRONT VIEW



Lamp: E26 Socket Max Wattage: 300 W 	Initials	Date	Wall Sconce #2211		
	Drawn	CB			03/2022
	Checked			16" Dia 18 1/2" Ext 38" H Mounting Plate: 4 1/2" W 6" H 1" D	
Construction: Aluminum Polycarbonate	MFR Appr.		Size	Drawing No.	Rev
	QA		A	0001	A
Unless Otherwise Specified: Dimensions in Inches	Weight:		Scale	CAD File	Sheet
					1 of 1

Revisions				
Zone	Rev	Description	Date	Appr