



Primelite Manufacturing Corp

407 S Main St, Freeport, NY 11520

Phone: 516-868-4411 | Fax: 516-868-4609

sales@primelite-mfg.com | www.primelite-mfg.com

PART #

#2211 LED 68

LAMP

Built-In LED

VOLTAGE

120 V

COLOR

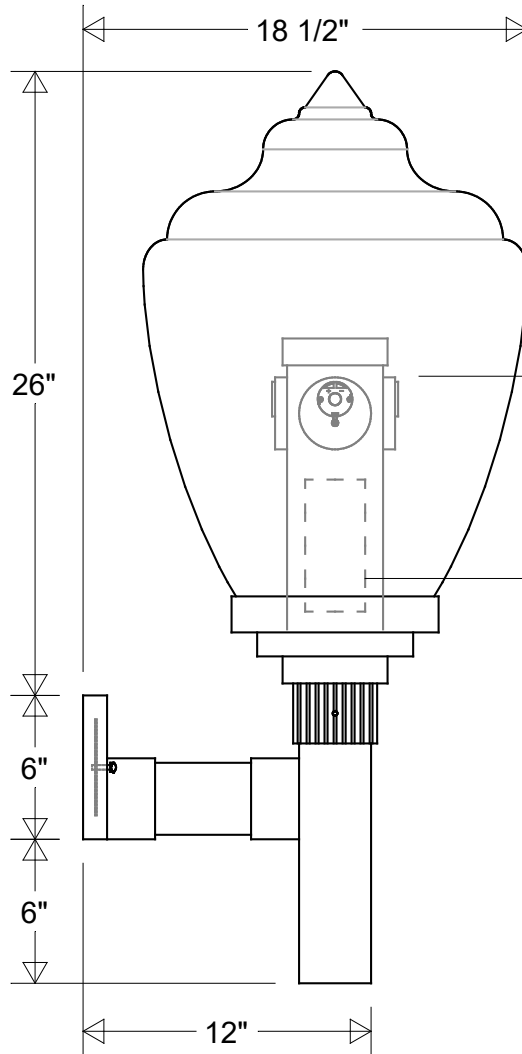
Powder Coated Paint

JOB NAME

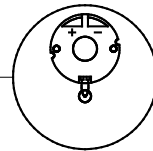
TYPE

Wall Sconce

SIDE VIEW

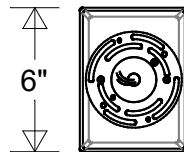


LED 68 Module

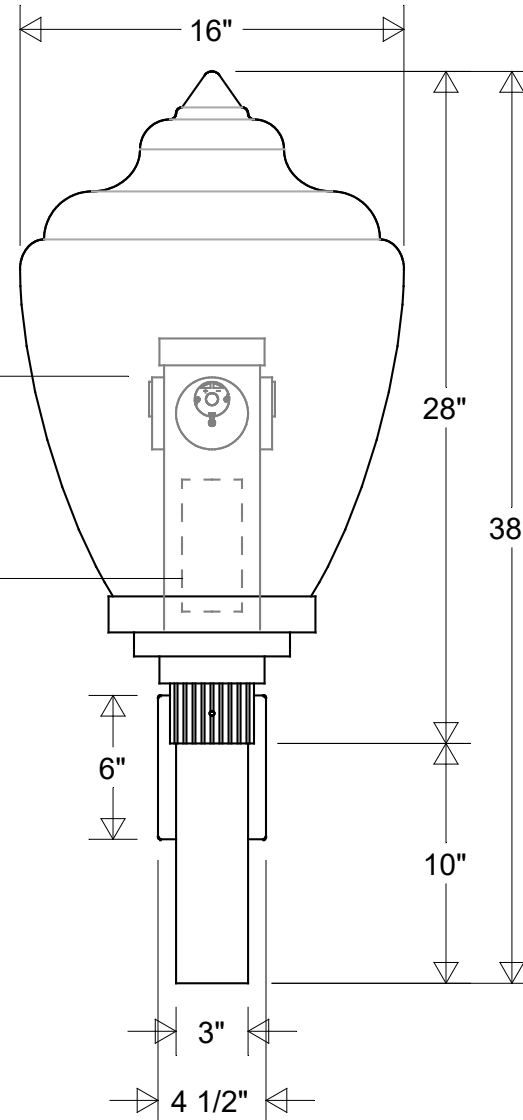


LED 17 Chip
& Heat Sink
Driver

MOUNTING
HARDWARE



4 1/2"



FRONT VIEW

Lamp: LED 68 (LED 17 Chip X 4)
175 W MH Equivalent
3K = 8552 Lumens
4K = 7712 Lumens



Initials Date

Drawn CB 03/2022

Checked

ENG Appr.

MFR Appr.

QA

Weight:

Wall Sconce #2211 LED 68

16" Dia | 18 1/2" Ext | 38" H

Mounting Plate: 4 1/2" W | 6" H | 1" D

Size Drawing No. Rev
A 0001 A

Scale CAD File Sheet
1 of 1

Revisions

Zone	Rev	Description	Date	Appr