



Primelite Manufacturing Corp

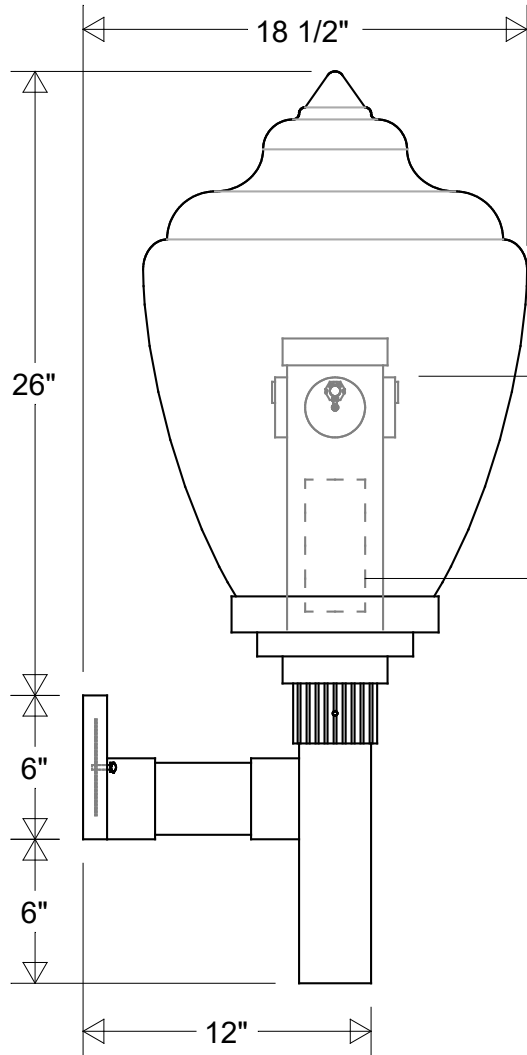
407 S Main St, Freeport, NY 11520

Phone: 516-868-4411 | Fax: 516-868-4609

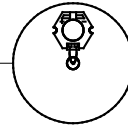
sales@primelite-mfg.com | www.primelite-mfg.com

PART # #2211 LED 40	LAMP Built-In LED	VOLTAGE 120 V	COLOR Powder Coated Paint
JOB NAME			TYPE Wall Sconce

SIDE VIEW



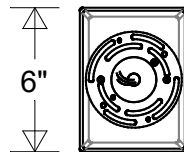
LED 40 Module



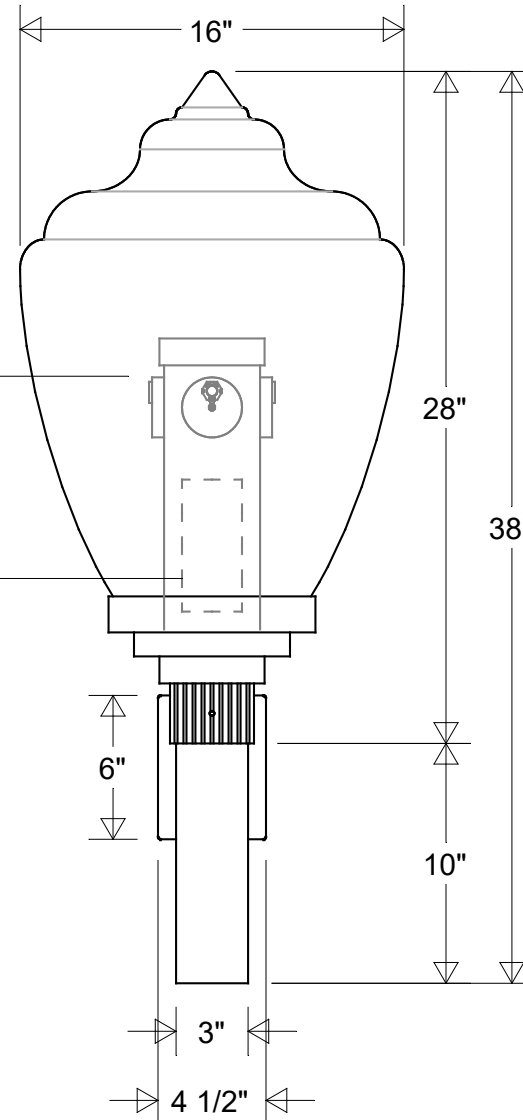
LED 10 Chip
& Heat Sink

Driver

MOUNTING
HARDWARE



4 1/2"



FRONT VIEW

Lamp: LED 40 (LED 10 Chip X 4)
125 W MH Equivalent
3K = 5060 Lumens
4K = 5100 Lumens



	Initials	Date
Drawn	CB	03/2022
Checked		
ENG Appr.		
MFR Appr.		
QA		

Wall Sconce #2211 LED 40

16" Dia | 18 1/2" Ext | 38" H
Mounting Plate: 4 1/2" W | 6" H | 1" D

Size	Drawing No.	Rev
A	0001	A

Revisions

Zone	Rev	Description	Date	Appr

Unless Otherwise Specified:
Dimensions in Inches

Weight:

Scale	CAD File	Sheet
		1 of 1