



Primelite Manufacturing Corp

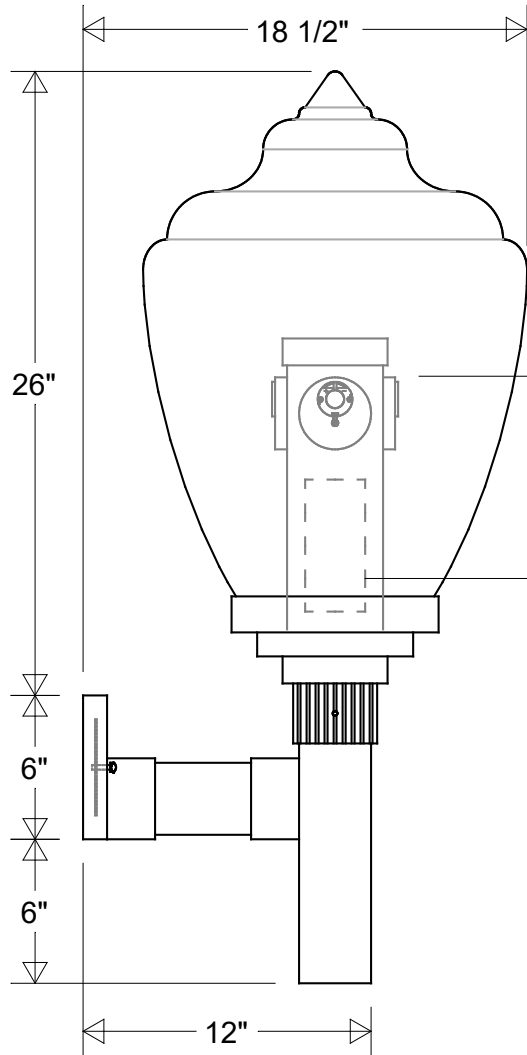
407 S Main St, Freeport, NY 11520

Phone: 516-868-4411 | Fax: 516-868-4609

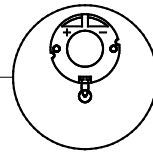
sales@primelite-mfg.com | www.primelite-mfg.com

PART # #2211 LED 124	LAMP Built-In LED	VOLTAGE 120 V	COLOR Powder Coated Paint
JOB NAME			TYPE Wall Sconce

SIDE VIEW

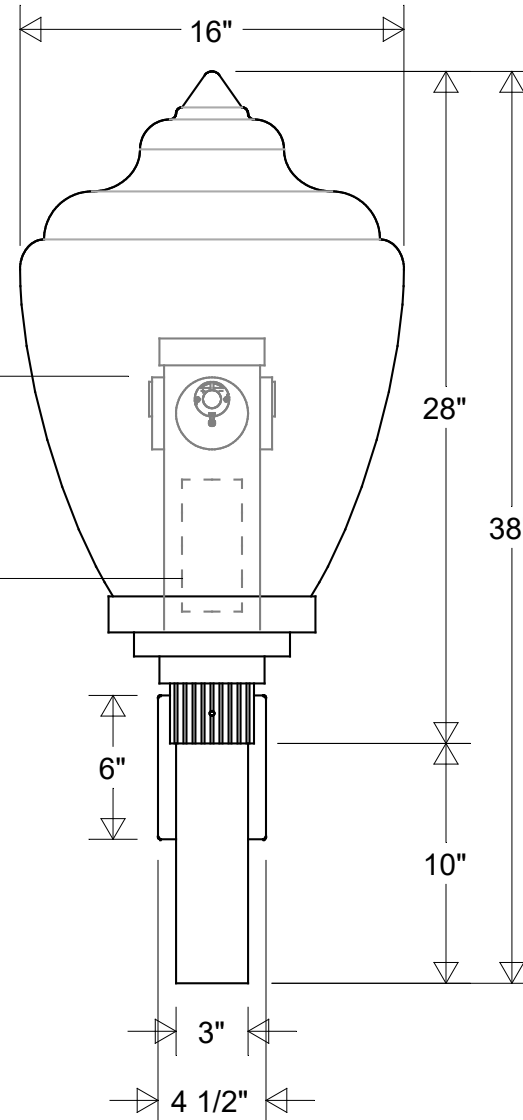
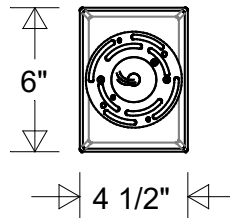


LED 124 Module



LED 31 Chip
& Heat Sink
Driver

MOUNTING
HARDWARE



FRONT VIEW

Lamp: LED 124 (LED 31 Chip X 4)
400 W MH Equivalent
3K = 15128 Lumens
4K = 15996 Lumens



	Initials	Date
Drawn	CB	03/2022
Checked		
ENG Appr.		
MFR Appr.		
QA		

Wall Sconce #2211 LED 124

16" Dia | 18 1/2" Ext | 38" H
Mounting Plate: 4 1/2" W | 6" H | 1" D

Size	Drawing No.	Rev
A	0001	A

Unless Otherwise Specified:
Dimensions in Inches

Weight:	Scale	CAD File	Sheet
			1 of 1

Revisions				
Zone	Rev	Description	Date	Appr