

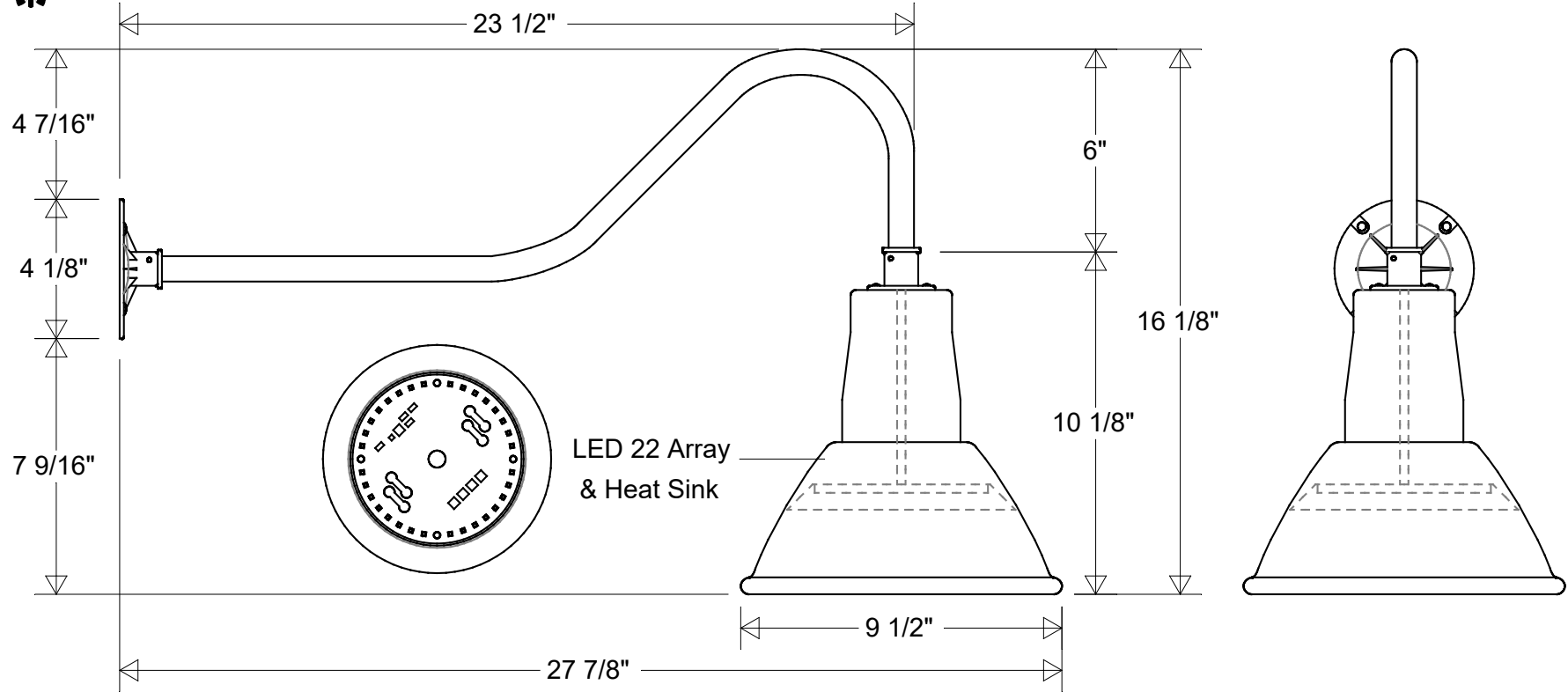


Primelite Manufacturing Corp

407 S Main St, Freeport, NY 11520

Phone: 516-868-4411 | Fax: 516-868-4609
 sales@primelite-mfg.com | www.primelite-mfg.com

PART # #21/850 LED 22	LAMP Built-In LED	VOLTAGE 120 V	COLOR Powder Coated Paint
JOB NAME			TYPE Gooseneck



Lamp: LED 22 Array 100 W Inc Equivalent 3K = 1850 Lumens 4K = 1900 Lumens	Initials	Date	Gooseneck #21/850 LED 22		
	Drawn	CB			08/2022
	Checked			9 1/2" Dia 27 7/8" Ext 16 1/8" H	
	ENG Appr.			6" Drop 7 9/16" Below Box	
Construction: Aluminum	MFR Appr.		Size	Drawing No.	Rev
	QA		A	0001	A
Unless Otherwise Specified: Dimensions in Inches	Weight:		Scale	CAD File	Sheet
					1 of 1

Revisions				
Zone	Rev	Description	Date	Appr