

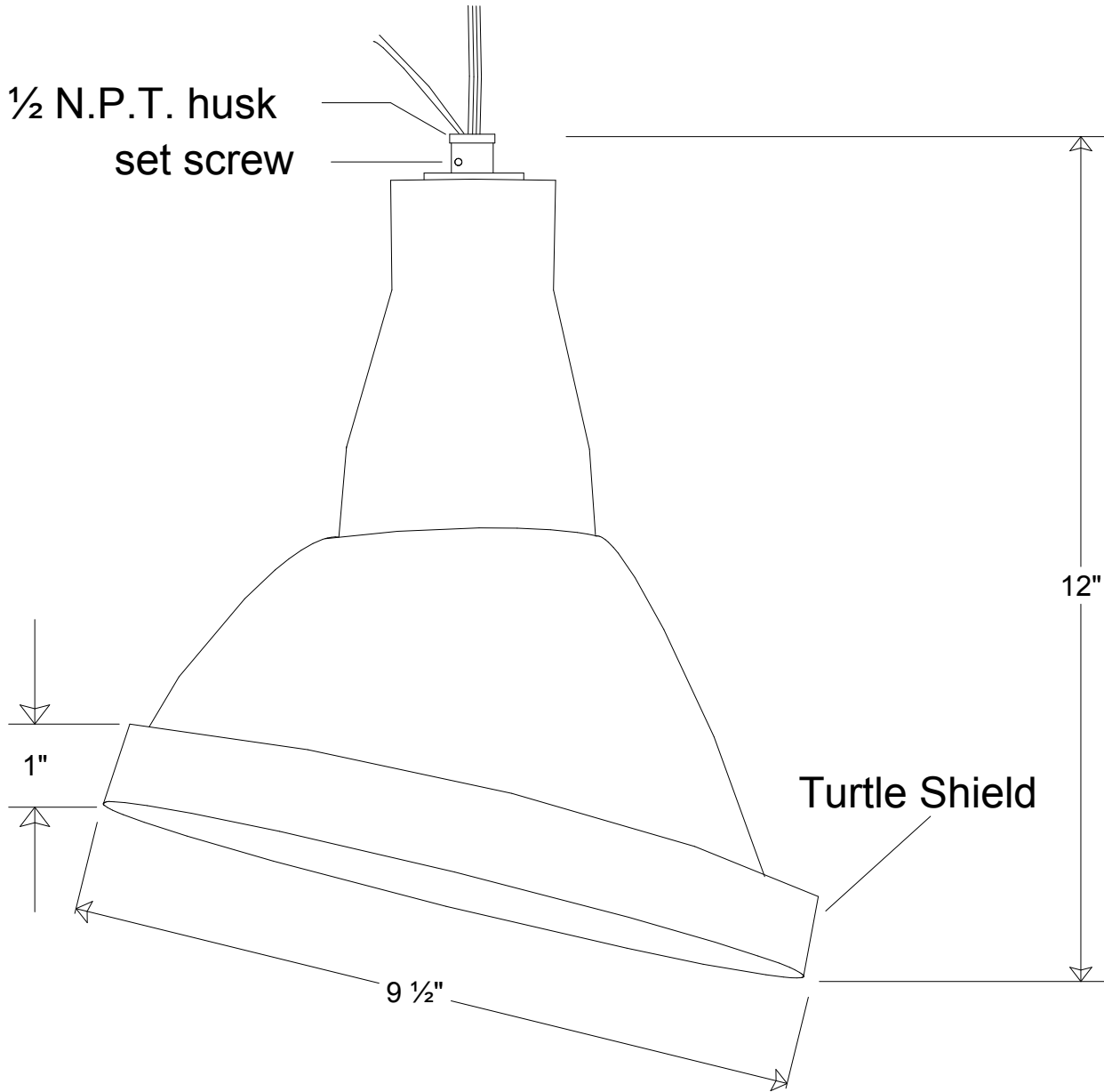


Primelite Manufacturing Corp

407 S Main St, Freeport, NY 11520
 Phone: 516-868-4411 | Fax: 516-868-4609
 sales@primelite-mfg.com | www.primelite-mfg.com

PART # #20 TS	LAMP Incandescent LED	VOLTAGE 120 V	COLOR Powder Coated Paint
JOB NAME			TYPE Shade

1/2 N.P.T. husk
set screw



Lamp: Incandescent | LED



LED16

Construction: Aluminum

Unless Otherwise Specified:
Dimensions in Inches

Name	Date	Shade #20 TS		
Drawn CB	4/22/19			
Checked		9 1/2" Diam Turtle Shield		
ENG Appr.				
MFR Appr.		Size	Drawing No.	Rev
QA		A	0001	A
Weight	Scale	CAD File	Sheet	1 of 1

Revisions				
Zone	Rev	Description	Date	Approved