

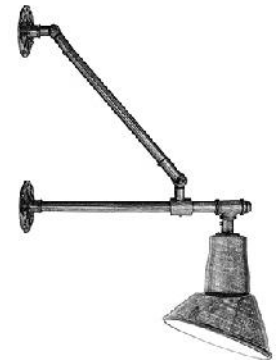
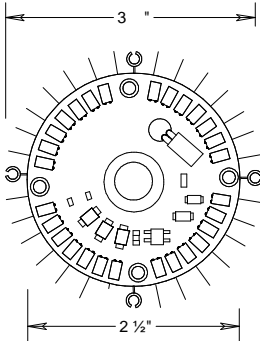
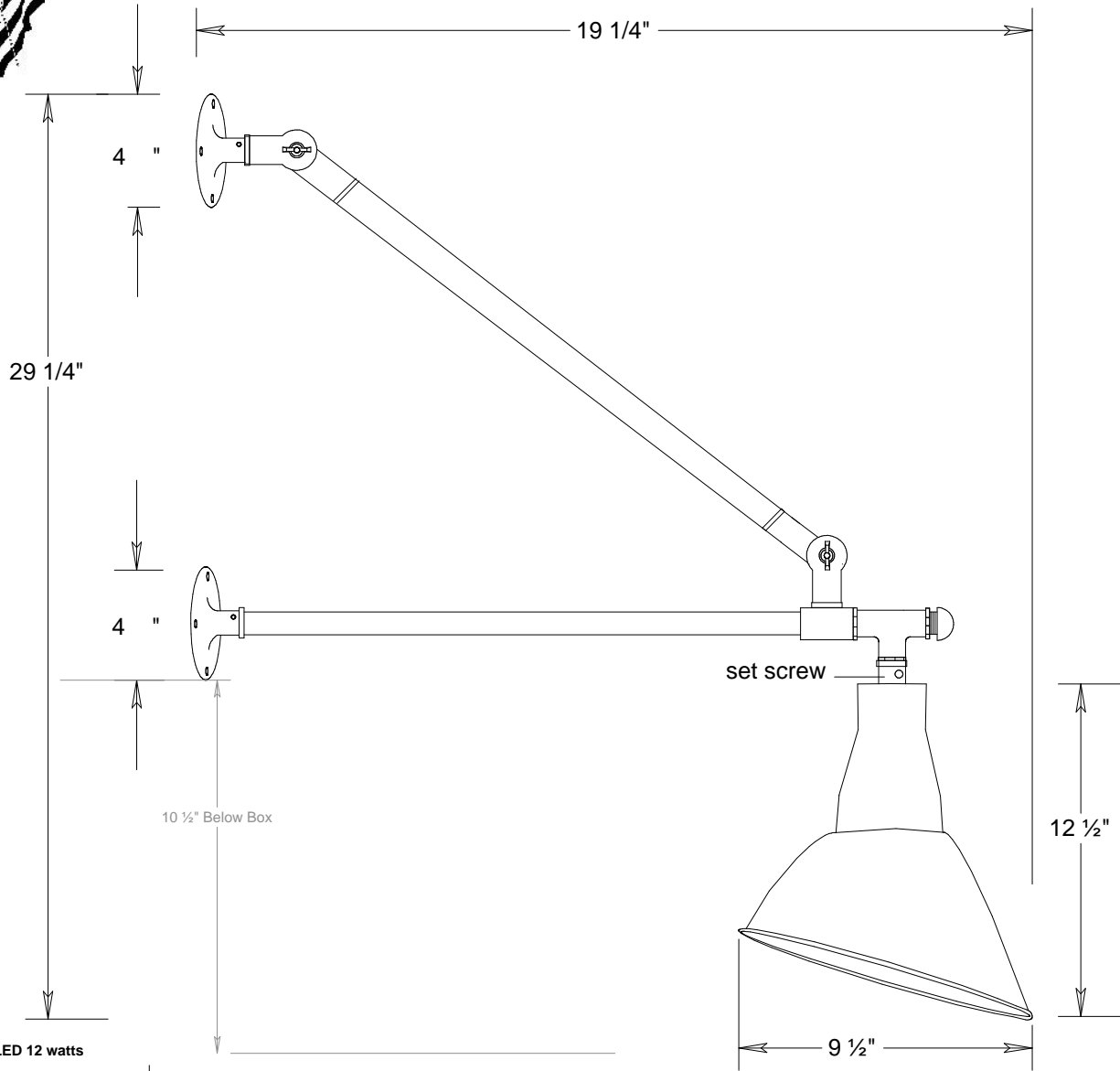


Primelite Manufacturing Corp

407 S Main St, Freeport, NY 11520

Phone: 516-868-4411 | Fax: 516-868-4609
 sales@primelite-mfg.com | www.primelite-mfg.com

PART #	LAMP	VOLTAGE	COLOR
JOB NAME			TYPE



Unless Otherwise Specified:

- Dimensions in Inches
- Tolerances: Fractional ±
- Angular: Mach ± Bend ±
- Two Place Decimal ±
- Three Place Decimal ±

Name	Date
Drawn: iv	12/11/17
Checked:	
ENG Appr.:	
MFR Appr.:	
QA:	
Comments	

Gooseneck #20/875 LED12

9 1/2" Dia Shade | 17" Arm | 10 1/2" Below Box

Construction: Aluminum

Lamp: 1 x LED12

Size	Drawing No.	Rev
A	0001	A
Scale	CAD File	Sheet
		1 of 1

Revisions			Date	Approved
Zone	Rev	Description		