

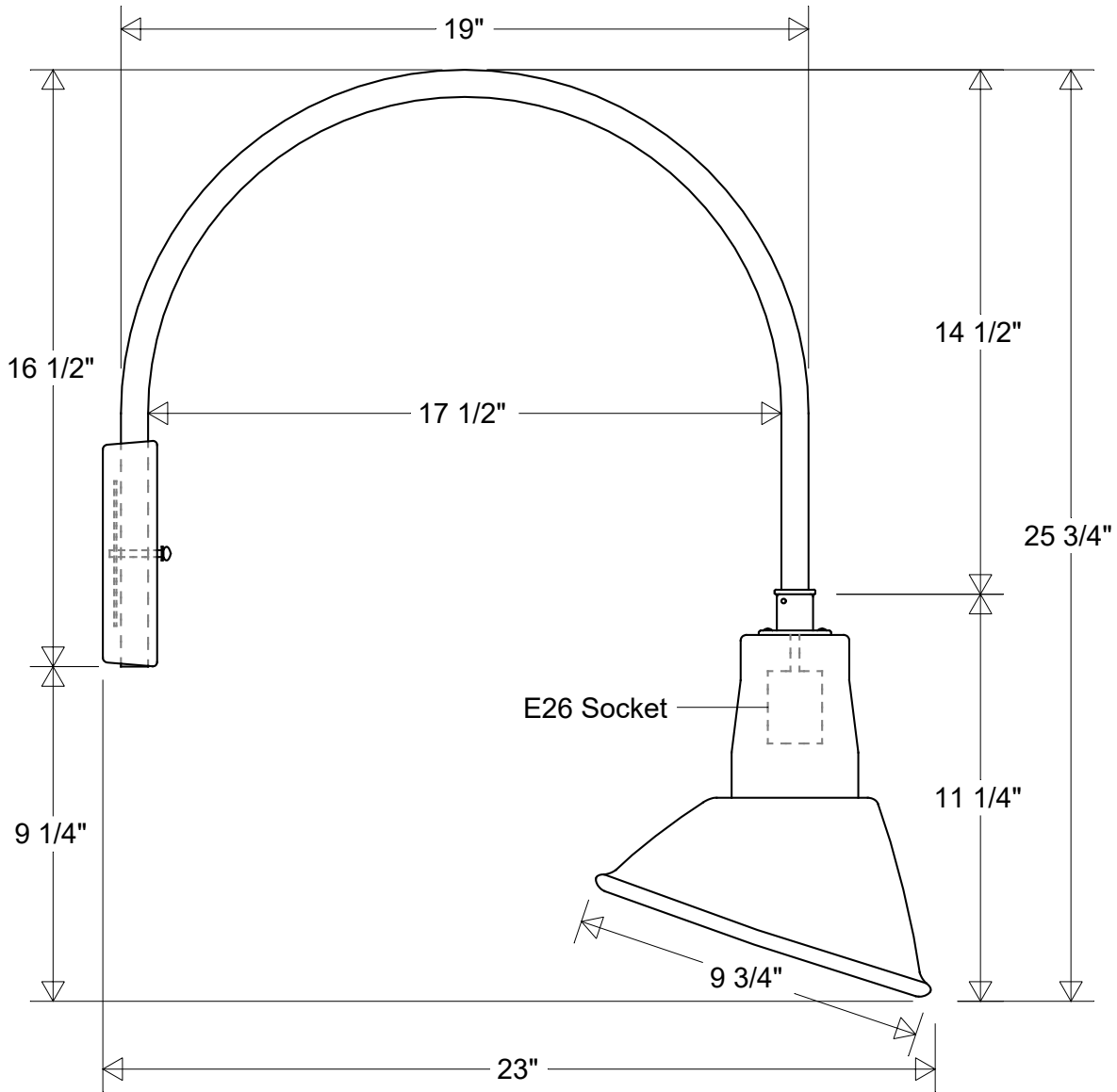


# Primelite Manufacturing Corp


407 S Main St, Freeport, NY 11520

Phone: 516-868-4411 | Fax: 516-868-4609  
 sales@primelite-mfg.com | www.primelite-mfg.com

<b>PART #</b> #20/866	<b>LAMP</b> E26 Socket	<b>VOLTAGE</b> 120 V	<b>COLOR</b> Powder Coated Paint
<b>JOB NAME</b>			<b>TYPE</b> Gooseneck



E26 Socket

<b>Lamp: E26 Socket</b> Max Wattage: 200 W 	<b>Initials</b>	<b>Date</b>	<b>#20/866</b>			<b>Revisions</b>						
	Drawn	CB									09/2023	
	Checked			9 3/4" Dia   23" Ext   25 3/4" H			<b>Zone</b>	<b>Rev</b>	<b>Description</b>	<b>Date</b>	<b>Appr</b>	
ENG Appr.			<b>Size</b>				<b>Drawing No.</b>	<b>Rev</b>				
Construction: Aluminum	MFR Appr.						<b>A</b>	<b>0001</b>	<b>A</b>			
Unless Otherwise Specified: Dimensions in Inches	Weight:			Scale	CAD File	Sheet	<b>1 of 1</b>					