

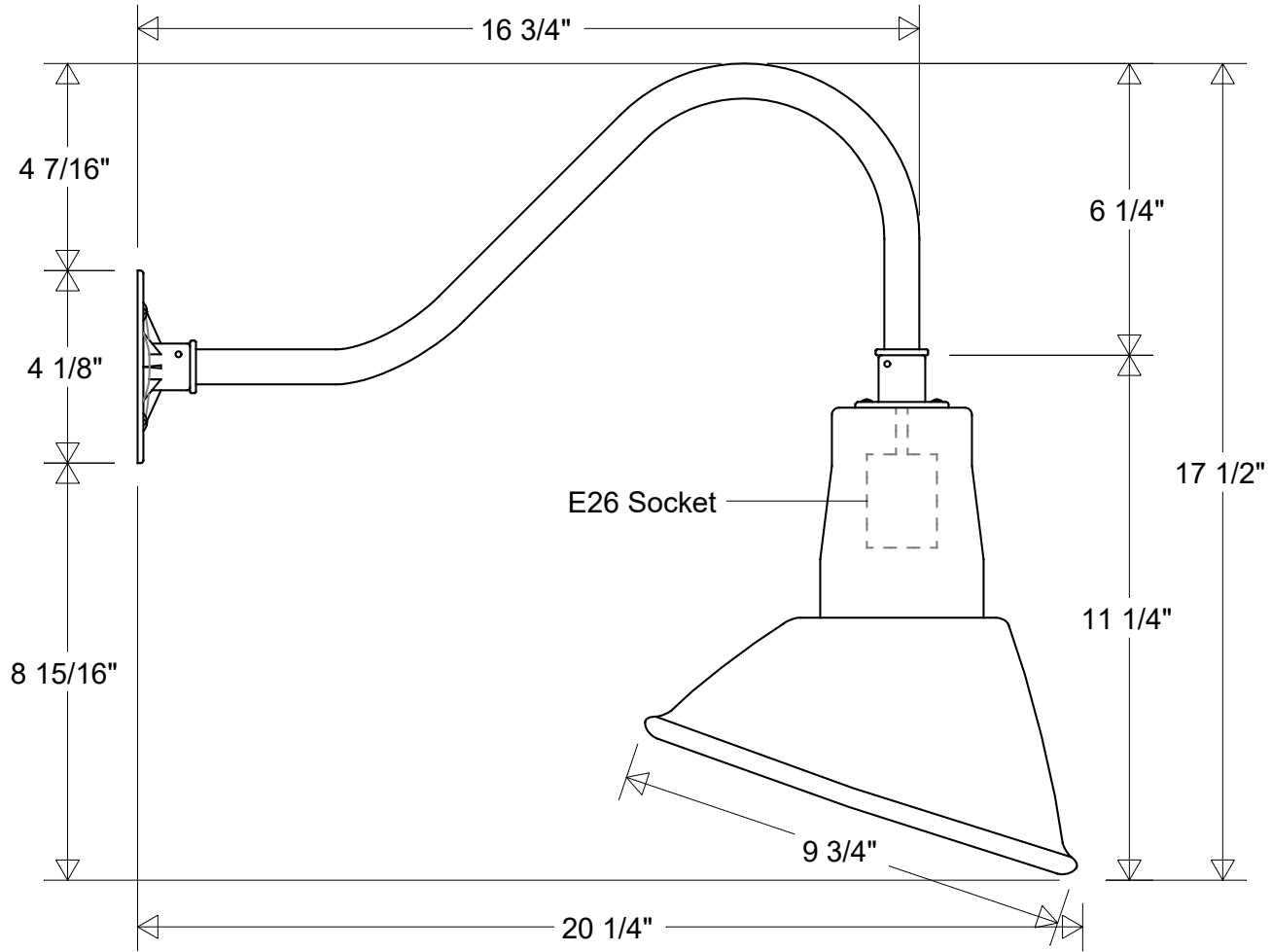


Primelite Manufacturing Corp

407 S Main St, Freeport, NY 11520

Phone: 516-868-4411 | Fax: 516-868-4609
 sales@primelite-mfg.com | www.primelite-mfg.com

PART # #20/859	LAMP E26 Socket	VOLTAGE 120 V	COLOR Powder Coated Paint
JOB NAME			TYPE Gooseneck



Lamp: E26 Socket
 Max Wattage: 200 W



Initials	Date	#20/859
Drawn CB	09/2023	
Checked		
ENG Appr.		9 3/4" Dia 20 1/4" Ext 17 1/2" H 6 1/4" Drop 8 15/16" Below Box
MFR Appr.		Size Drawing No. Rev
QA		A 0001 A

Revisions				
Zone	Rev	Description	Date	Appr

Construction:
 Aluminum

Unless Otherwise Specified:
 Dimensions in Inches

Weight: _____ Scale CAD File Sheet **1 of 1**