



Primelite Manufacturing Corp

407 S Main St, Freeport, NY 11520

Phone: 516-868-4411 | Fax: 516-868-4609

sales@primelite-mfg.com | www.primelite-mfg.com

PART #

#20/859 LED 22

LAMP

Built-In LED

VOLTAGE

120 V

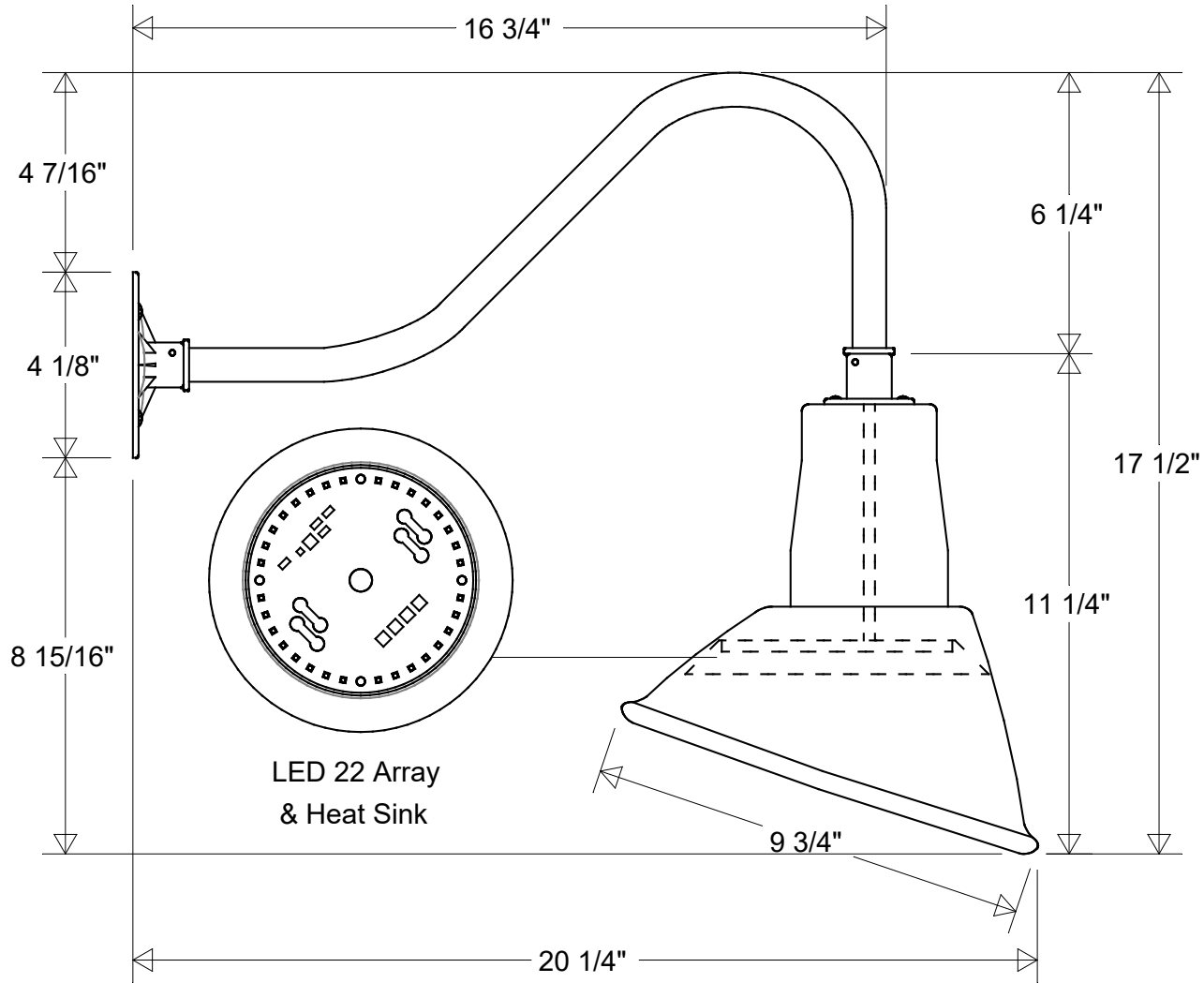
COLOR

Powder Coated Paint

JOB NAME

TYPE

Gooseneck



LED 22 Array
& Heat Sink

Lamp: LED 22 Array

100 W Inc Equivalent
3K = 1850 Lumens
4K = 1900 Lumens



Initials Date

Drawn CB 01/2022

Checked

ENG Appr.

MFR Appr.

QA

Gooseneck #20/859 LED 22

9 3/4" Dia | 20 1/4" Ext | 17 1/2" H

6 1/4" Drop | 8 15/16" Below Box

Size

Drawing No.

Rev

A

0001

A

Construction:
Aluminum

Unless Otherwise Specified:
Dimensions in Inches

Weight:

Scale

CAD File

Sheet

1 of 1

Revisions

Zone	Rev	Description	Date	Appr