

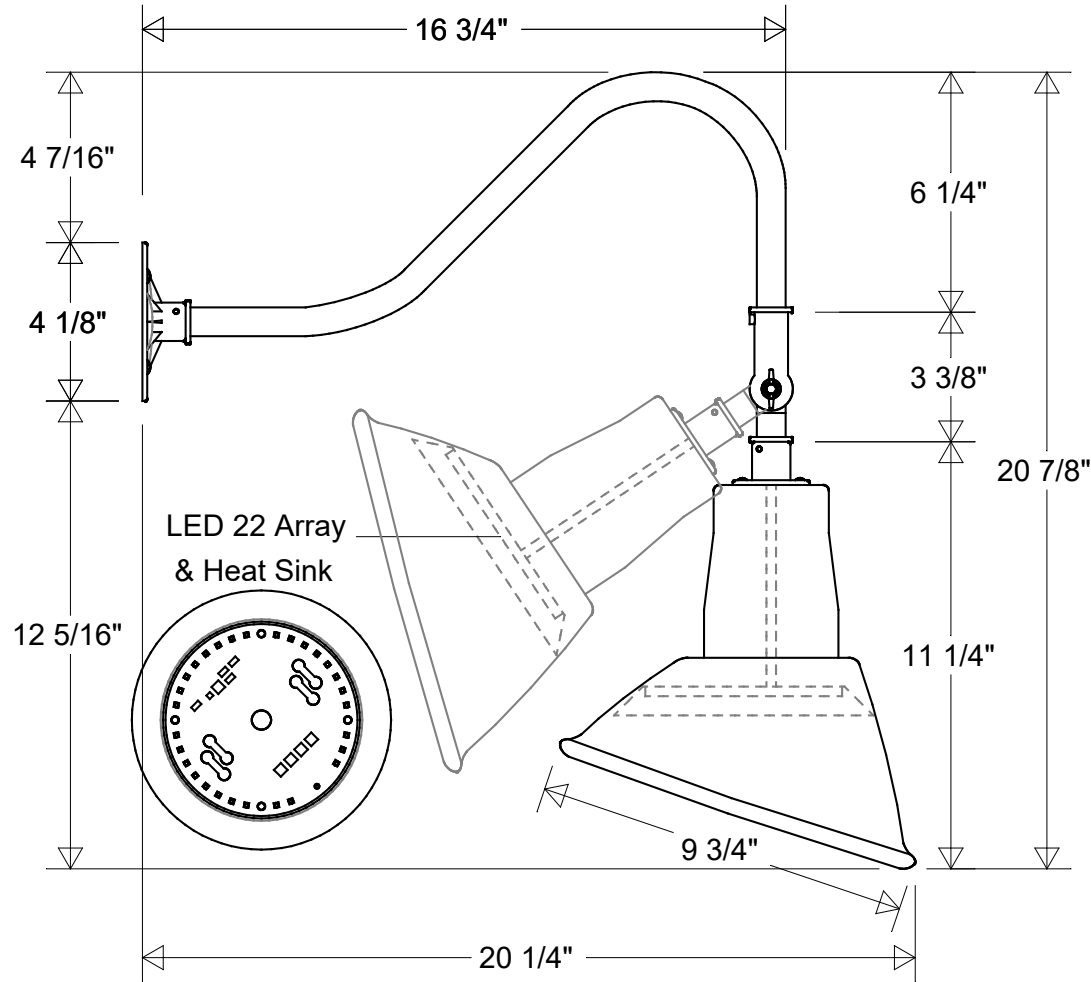


Primelite Manufacturing Corp

407 S Main St, Freeport, NY 11520

Phone: 516-868-4411 | Fax: 516-868-4609
 sales@primelite-mfg.com | www.primelite-mfg.com

PART # #20/859 ESW LED 22	LAMP Built-In LED	VOLTAGE 120 V	COLOR Powder Coated Paint
JOB NAME			TYPE Gooseneck



Lamp: LED 22 Array 100 W Inc Equivalent 3K = 1850 Lumens 4K = 1900 Lumens	Initials	Date	Gooseneck #20/859 ESW LED 22			
	Drawn	CB				07/2022
	Checked			9 3/4" Dia 20 1/4" Ext 20 7/8" H		
	ENG Appr.			Adjustable Angle Swivel		
Construction: Aluminum	MFR Appr.		Size	Drawing No.	Rev	
	QA		A	0001	A	
Unless Otherwise Specified: Dimensions in Inches	Weight:		Scale	CAD File	Sheet	
					1 of 1	

Revisions				
Zone	Rev	Description	Date	Appr