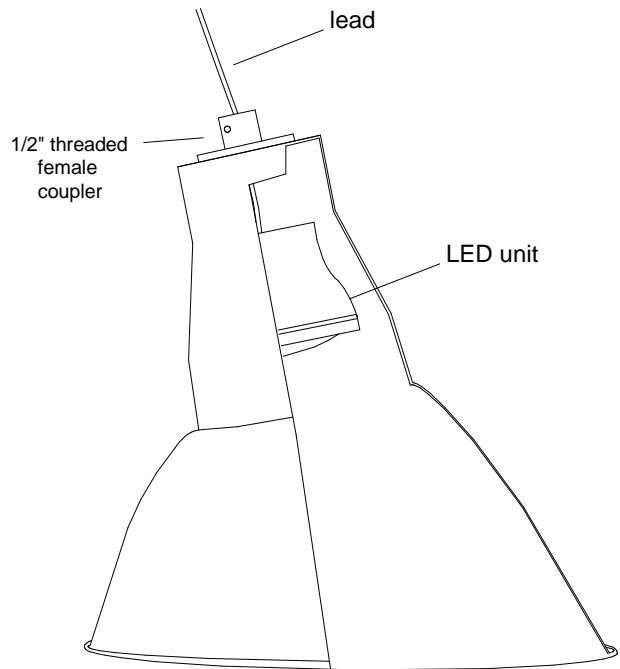
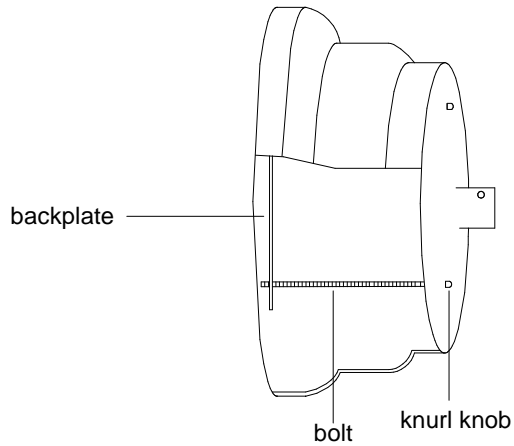
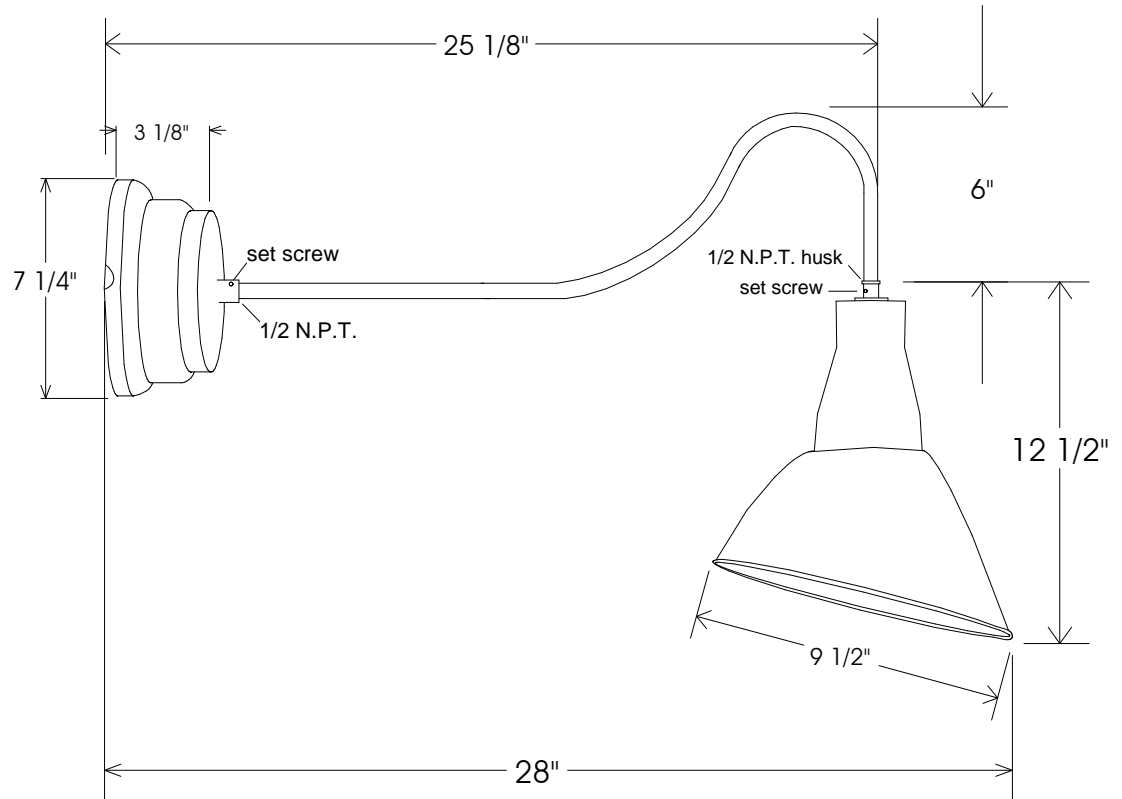


### Small Ballast Pot Canopy



20A Shade



- 50,000 hour life
- Average savings is \$39.42 per year as compared to a 75 Watt incandescent
- Savings of \$ 518.16 for the life of the fixture
- Lumen output is equal to a 75 Watt bulb.

|  |   |                  |   |
|--|---|------------------|---|
| <b>Unless Otherwise Specified:</b><br>Dimensions in Inches<br>Tolerances: Fractional ±<br>Angular: Mach ± Bend ±<br>Two Place Decimal ±<br>Three Place Decimal ± | Name<br>T.A.R.  | Date<br>02/07/12 | <b>Primelite Mfg. Corp.</b><br><br><b>20/857 LED no power supply</b><br><b>24 Watt 1000 Lumens @ 3000K</b><br><b>1250 Lumens @ 4000K</b><br><b>24 Volt Output</b> |
|  | Drawn<br>T.A.R.   |                  |   |
|  | Checked<br>ENG Appr.  |                  |   |
|  | MFR Appr.   |                  |   |
|  | QA  |                  |   |
| Construction: All Aluminum<br>Pipe Size: 1/2"  | Comments<br>CAD Generated Drawing<br>Do Not Manually Update |                  | Size<br><b>A</b>  |
|  | Drawing No.<br><b>0001</b>                                  | Rev<br><b>A</b>  |   |
|  | Scale   | CAD File         | Sheet<br><b>1 of 1</b>  |