

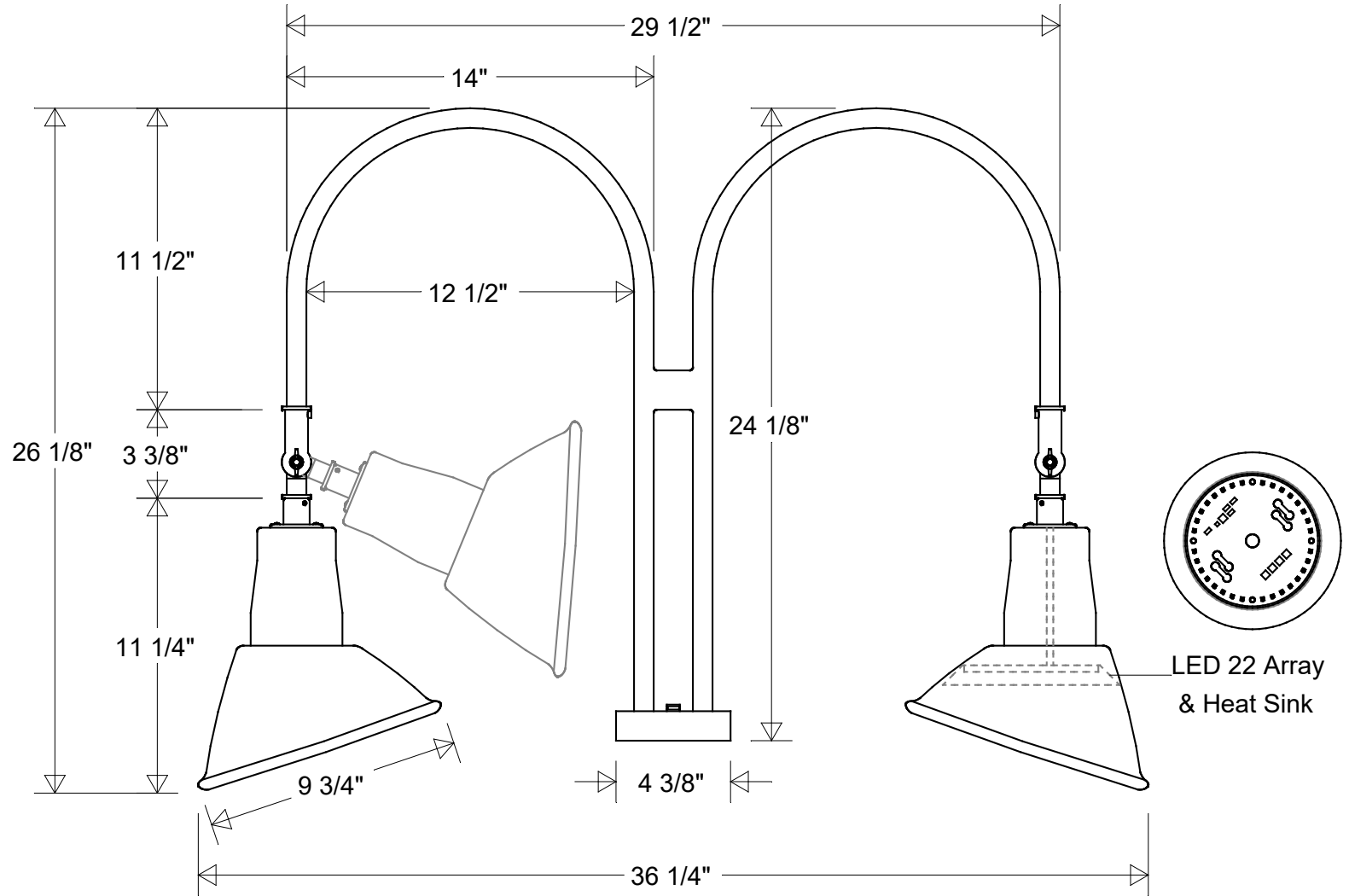


Primelite Manufacturing Corp

407 S Main St, Freeport, NY 11520

Phone: 516-868-4411 | Fax: 516-868-4609
 sales@primelite-mfg.com | www.primelite-mfg.com

PART # #20/852-2 ESW LED 22	LAMP Built-In LED	VOLTAGE 120 V	COLOR Powder Coated Paint
JOB NAME			TYPE Parapet Gooseneck



Lamp: LED 22 Array 100 W Inc Equivalent 3K = 1850 Lumens 4K = 1900 Lumens	Initials	Date	Gooseneck #20/852-2 ESW LED 22		
	Drawn	CB 10/2022			
	Checked		9 3/4" Dia 36 1/4" W 26 1/8" H		
	ENG Appr.		11 1/2" Drop 4 1/8" ID Canopy Swivel		
Construction: Aluminum	MFR Appr.		Size A	Drawing No. 0001	Rev A
Unless Otherwise Specified: Dimensions in Inches	Weight:		Scale	CAD File	Sheet 1 of 1

Revisions				
Zone	Rev	Description	Date	Appr