



# Primelite Manufacturing Corp

407 S Main St, Freeport, NY 11520

Phone: 516-868-4411 | Fax: 516-868-4609

sales@primelite-mfg.com | www.primelite-mfg.com

PART #

#20/852-2 ESW LED 12

LAMP

Built-In LED

VOLTAGE

120 V

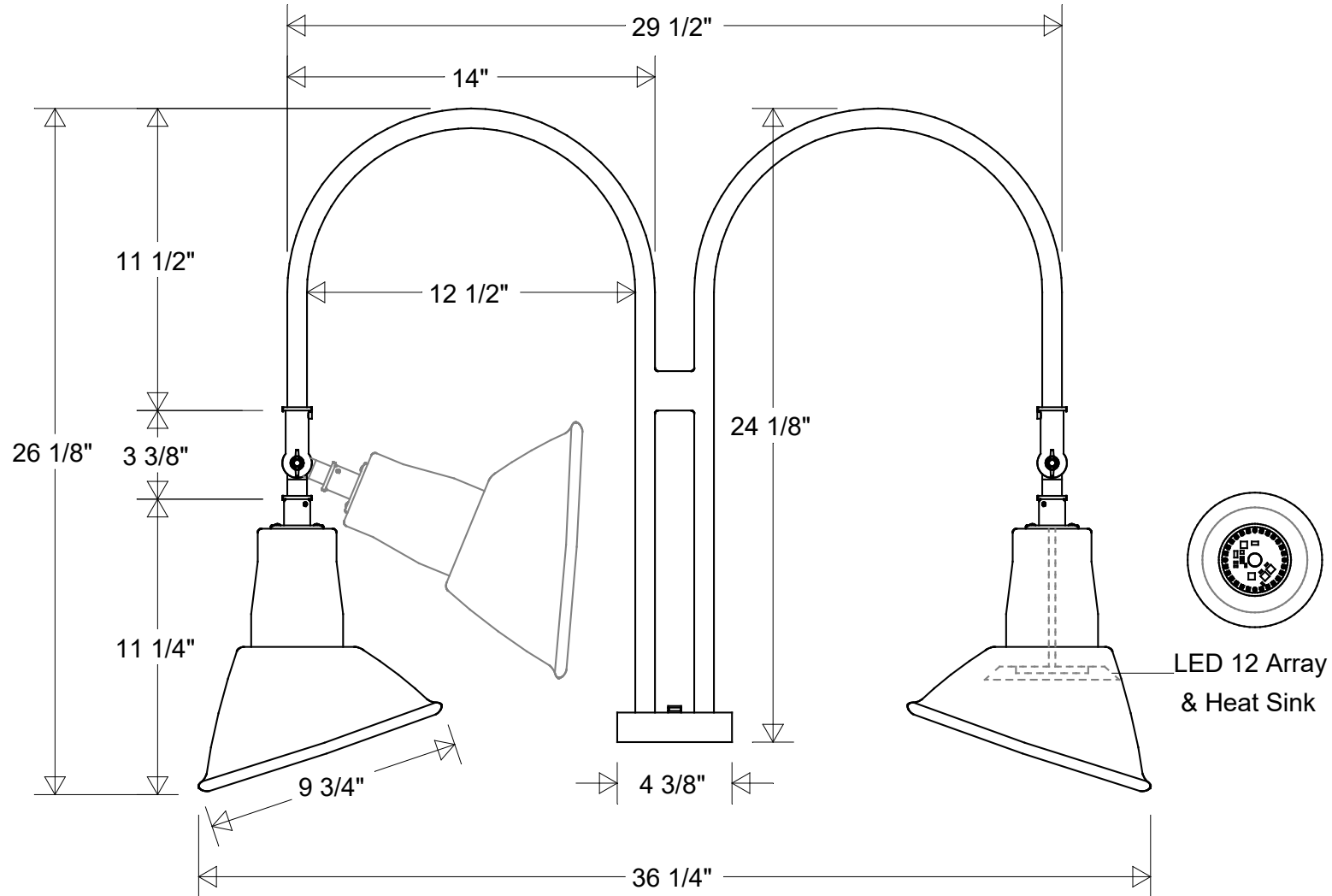
COLOR

Powder Coated Paint

JOB NAME

TYPE

Parapet Gooseneck



Lamp: LED 12 Array

60 W Inc Equivalent  
3K = 910 Lumens  
4K = 1000 Lumens



	Initials	Date
Drawn	CB	10/2022
Checked		
ENG Appr.		
MFR Appr.		
QA		

## Gooseneck #20/852-2 ESW LED 12

9 3/4" Dia | 36 1/4" W | 26 1/8" H

11 1/2" Drop | 4 1/8" ID Canopy | Swivel

Size	Drawing No.	Rev
<b>A</b>	<b>0001</b>	<b>A</b>

Unless Otherwise Specified:  
Dimensions in Inches

Weight:

Scale	CAD File	Sheet
		<b>1 of 1</b>

### Revisions

Zone	Rev	Description	Date	Appr