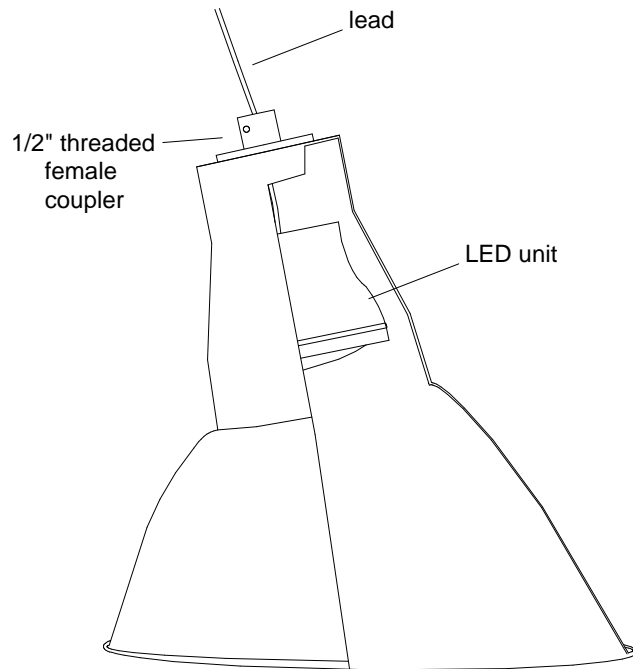
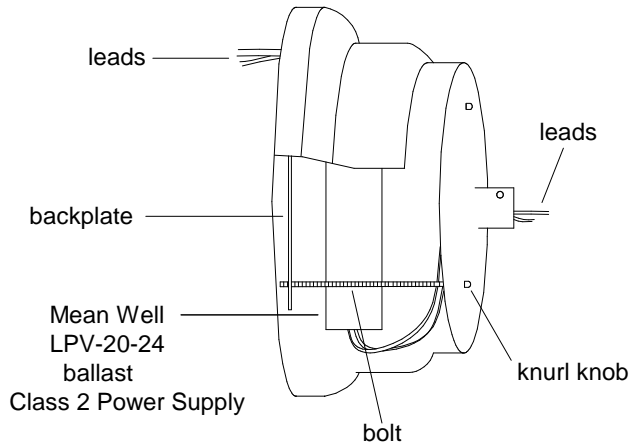
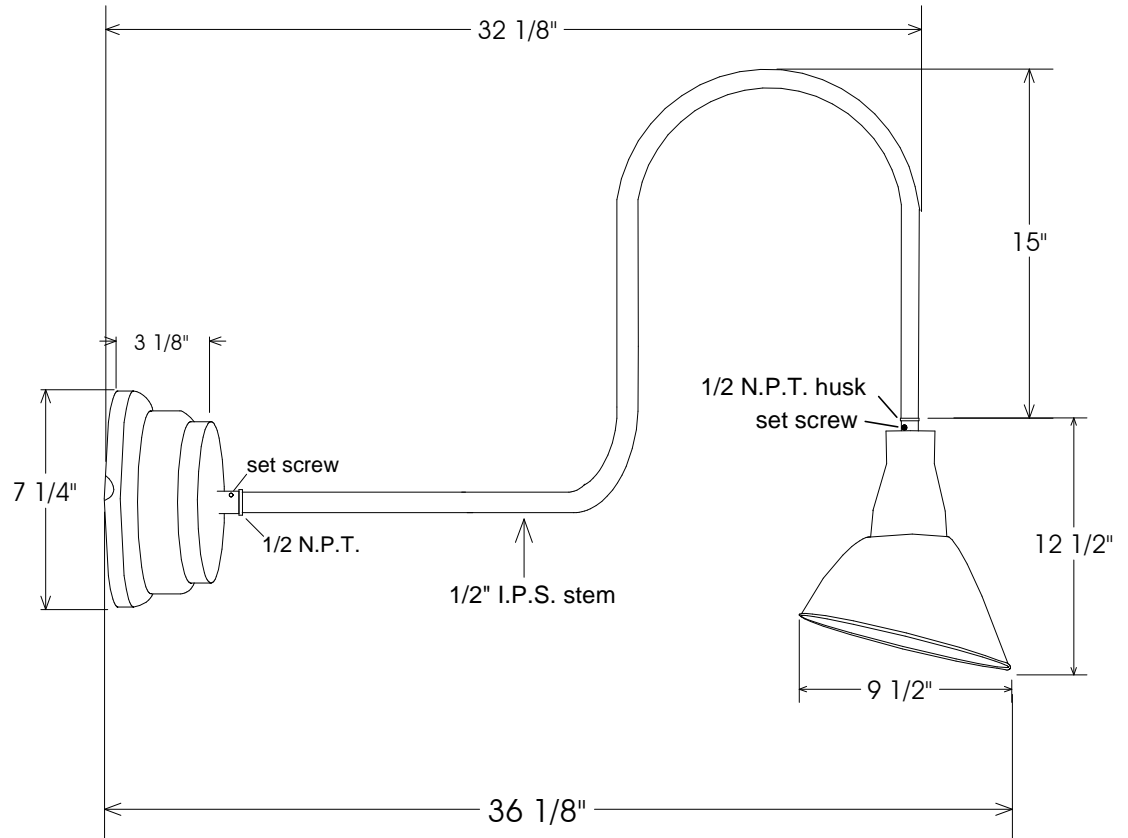


Small Ballast Pot Canopy



20A Shade



- 50,000 hour life
- Average savings is \$39.42 per year as compared to a 75 Watt incandescent
- Savings of \$ 518.16 for the life of the fixture
- Lumen output is equal to a 75 Watt bulb.

Unless Otherwise Specified: Dimensions in Inches Tolerances: Fractional ± Angular: Mach ± Bend ± Two Place Decimal ± Three Place Decimal ±	Drawn T.A.R.	Name T.A.R.	Date 02/07/12	Primelite Mfg. Corp.		
	Checked					
	ENG Appr.					
	MFR Appr.					
	QA				Size A	Drawing No. 0001
Construction: All Aluminum	Comments CAD Generated Drawing Do Not Manually Update			Scale	CAD File	Sheet 1 of 1
Pipe Size: 1/2"						