



Primelite Manufacturing Corp

407 S Main St, Freeport, NY 11520

Phone: 516-868-4411 | Fax: 516-868-4609

sales@primelite-mfg.com | www.primelite-mfg.com

PART #

#20/851-SCA

LAMP

Incandescent

VOLTAGE

120 V

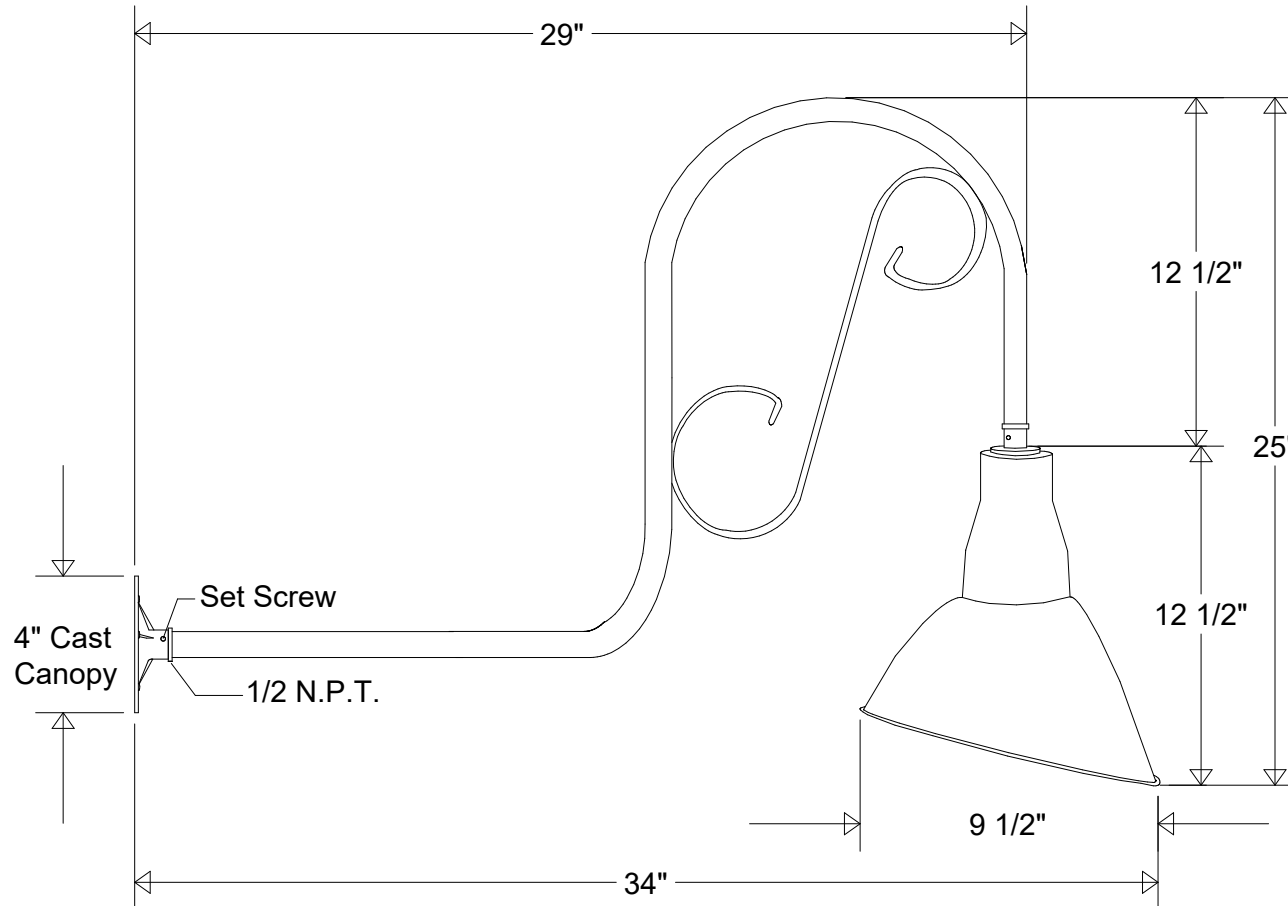
COLOR

Powder Coated Paint

JOB NAME

TYPE

Gooseneck



Lamp: Incandescent
Max Wattage: 1/200A



Name Date

Drawn	CB	6/2020
Checked		
ENG Appr.		
MFR Appr.		
QA		
Weight		

Gooseneck #20/851-SCA

9 1/2" Dia | 34" Ext | 25" H
Decorative Scroll

Size	Drawing No.	Rev
A	0001	A

Construction: Aluminum

Unless Otherwise Specified:
Dimensions in Inches

Scale	CAD File	Sheet
		1 of 1

Revisions				
Zone	Rev	Description	Date	Approved