

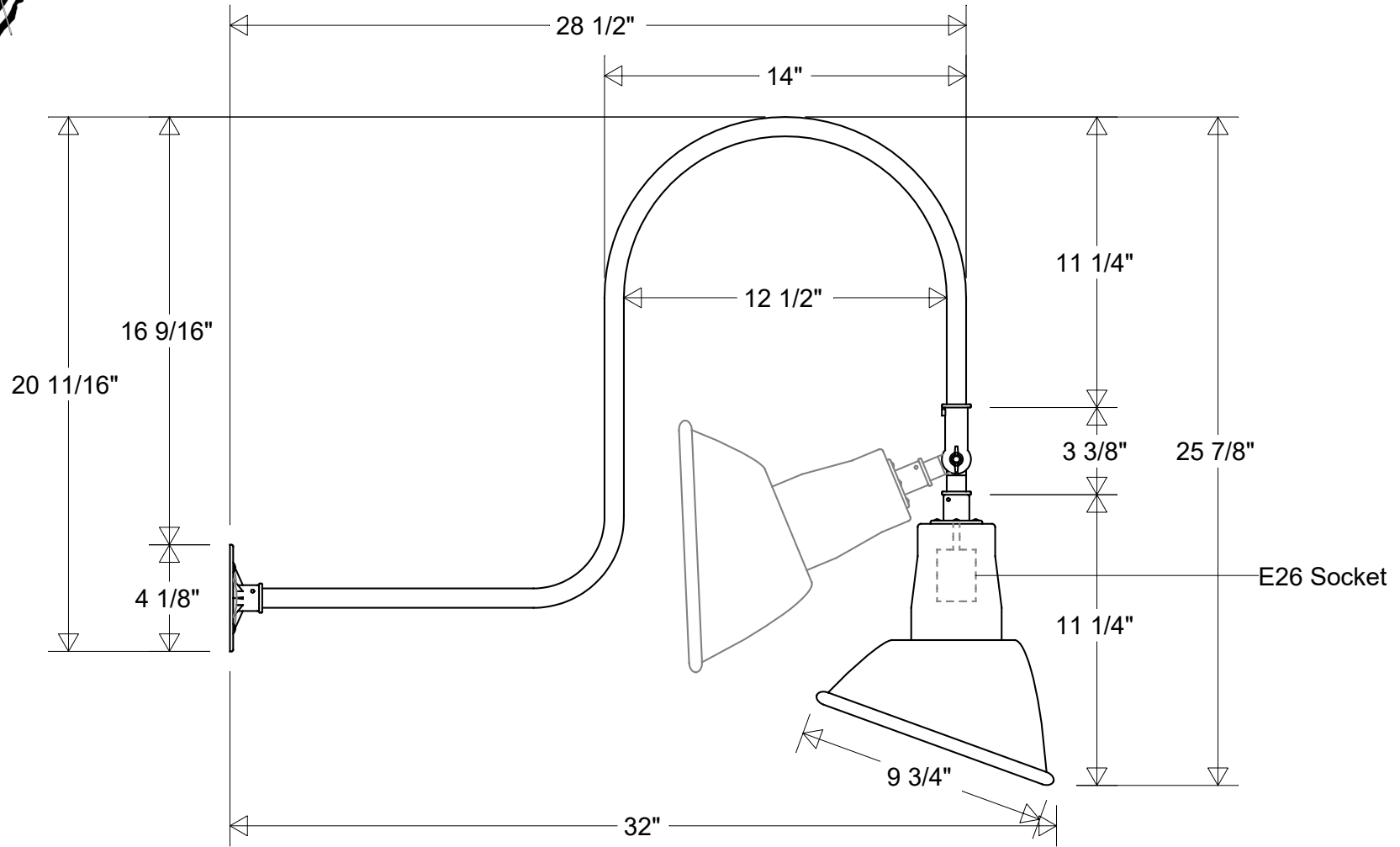



# Primelite Manufacturing Corp

407 S Main St, Freeport, NY 11520

Phone: 516-868-4411 | Fax: 516-868-4609  
 sales@primelite-mfg.com | www.primelite-mfg.com

PART # #20/851 ESW	LAMP E26 Socket	VOLTAGE 120 V	COLOR Powder Coated Paint
JOB NAME			TYPE Gooseneck



Lamp: E26 Socket Max Wattage: 200 W 	Initials	Date	<h2>#20/851 ESW</h2>							
	Drawn	CB						02/2024		
	Checked			9 3/4" Dia   32" Ext   25 7/8" H Adjustable Swivel		<b>Revisions</b>				
Construction: Aluminum	MFR Appr.		Size	Drawing No.	Rev	Zone	Rev	Description	Date	Appr
	QA		<b>A</b>	<b>0001</b>	<b>A</b>					
Unless Otherwise Specified: Dimensions in Inches	Weight:		Scale	CAD File	Sheet					
					<b>1 of 1</b>					